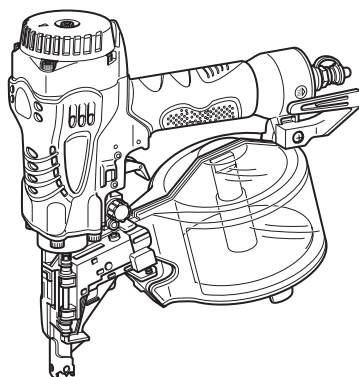


INSTRUCTION MANUAL
MANUEL D'INSTRUCTION
MANUAL DE INSTRUCCIONES



Construction Nailer Cloueuse de construction Clavadora de construcción

AN610H



IMPORTANT: Read Before Using.

IMPORTANT : Lire avant usage.

IMPORTANTE: Lea antes de usar.

SPECIFICATIONS

Model	AN610H
Air pressure	0.98 - 2.26 MPa (140 - 320 PSIG)
Nail length	Wire-collated coil nail 32 mm (1-1/4") - 65mm (2-1/2") Sheet-collated coil nail 32 mm (1-1/4") - 65 mm (2-1/2")
Nail capacity	200 - 400 pcs.
Min. hose diameter	5.0 mm (3/16")
Dimensions (L X H X W)	282 mm X 277 mm X 136 mm (11-1/8" X 10-15/16" X 5-3/8")
Net weight	1.9 kg (4.2 lbs)

- Due to our continuing program of research and development, the specifications herein are subject to change without notice.
- Specifications may differ from country to country.
- Weight according to EPTA-Procedure 01/2003

Important safety instructions

For personal safety and proper operation and maintenance of the tool, read this instruction manual carefully before using the tool.

WARNING: WHEN USING THIS TOOL, BASIC SAFETY PRECAUTIONS SHOULD ALWAYS BE FOLLOWED TO REDUCE THE RISK OF PERSONAL INJURY, INCLUDING THE FOLLOWING:

READ ALL INSTRUCTIONS.

Personal Protective Equipment

1. Always wear safety glasses to avoid eye injury from dust or fasteners. The safety glasses should conform with the requirements of ANSI Z87.1. **WARNING:** It is an employer's responsibility to enforce the use of safety eye protection equipment by the tool operators and by other persons in the immediate working area.
2. Wear hearing protection to protect your ears against exhaust noise and head protection. Also wear light but not loose clothing. Sleeves should be buttoned or rolled up. No necktie should be worn.

Flammable Atmospheres

1. Do not operate tool in explosive atmospheres, such as in the presence of flammable liquids, gases or combustible dust.

Tool modification

1. The tool should not be modified unless authorized in the tool manual or approved in writing by the tool manufacturer.

Tool maintenance

1. Refer to the tool maintenance instructions for detailed information on the proper maintenance of a tool.

Recommended fasteners and accessories

1. Use only fasteners made or recommended by the tool manufacturer, or fasteners that perform equivalently to those recommended by the manufacturer.
2. Use only accessories made or recommended by the tool manufacturer, or accessories that perform equivalently to those recommended by the manufacturer.

Inspect tool before operating to:

1. Use only power source specified in the instruction manual.
Operate the tool within the specified air pressure on the tool label for safety and longer tool life. Do not exceed the recommended max. operating pressure. The tool should not be connected to a source whose pressure potentially exceeds 3.39 MPa (480 PSIG).
2. Never use the tool with other than compressed air. If bottled gas (carbon dioxide, oxygen, nitrogen, hydrogen, air, etc.) or combustible gas (hydrogen, propane, acetylene, etc.) is used as a power source for this tool, the tool will explode and cause serious injury.
3. Always check the tool for its overall condition and loose screws before operation. Tighten as required.
4. Make sure all safety systems are in working order before operation. The tool must not operate if only the trigger is pulled or if only the contact element is pressed against the wood. It must work only when both actions are performed. Test for possible faulty operation with fasteners unloaded and the contact element in fully pulled position.
5. Always check contact element as instructed in this manual. Fasteners may be driven accidentally if the safety mechanism is not working correctly.

Operating controls

1. Do not use a tool with missing or damaged safety warning label(s.)
2. A tool that is not in proper working order must not be used. Tags and physical segregation shall be used for control.
3. Do not remove, tamper with, or otherwise cause tool operating controls to become inoperable.
4. Do not operate tool if any portion of the tool operating controls is inoperable, disconnected, altered, or not working properly.

Tool handling

1. Only persons who have read and understand the tool operating/safety instructions should operate the tool.
2. Always assume that tool contains fasteners.
3. Do not point tool toward yourself or anyone whether it contains fasteners or not.
4. Keep bystanders and children away while operating tool.
5. Do not actuate tool unless tool is placed firmly against the workpiece.
6. Respect tool as a working implement.
7. Do not engage in horseplay.
8. Stay alert, focus on your work and use common sense when working with tools.
9. Do not use tool while tired, after having consumed drugs or alcohol, or while under the influence of medication.
10. Do not overreach. Keep proper footing and balance at all times.
11. Do not hold or carry tool with a finger on the trigger.
12. Drive fasteners into proper work surface only.
13. Do not drive fasteners into other fasteners.
14. After driving a fastener, tool may spring back (“recoil”) causing it to move away from the work surface. To reduce risk of injury always manage recoil by:
 - a) always maintaining control of tool.
 - b) allowing recoil to move tool away from work surface.
 - c) not resisting recoil such that tool will be forced back into the work surface. In “Contact Actuation Mode,” if workpiece contact is allowed to re-contact work surface before the trigger is released, an unintended discharge of a fastener will occur.
 - d) keeping face and body parts away from tool.
15. When working close to an edge of a workpiece or at steep angles use care to minimize chipping, splitting or splintering, or free flight or ricochet of fasteners, which may cause injury.
16. Keep hands and body away from fastener discharge area of tool.
17. Do not load tool with fasteners when any one of the operating controls is activated.
18. Do not operate tool with any power source other than that specified in tool operating/ safety instructions.
19. Do not operate tool with any operating pressure other than that specified in tool operating/ safety instructions.
20. Always select an actuation system that is appropriate to the fastener application and the training of the operator.
21. Use extra caution when driving fasteners into existing walls or other blind areas to prevent contact with hidden objects or persons on other side (e.g., wires, pipes.)
22. Do not lift, pull or lower tool by the hose.

Disconnecting tool

Disconnect tool from the power source when:

1. Not in use;
2. Performing any maintenance or repairs;
3. Clearing a jam;
4. Elevating, lowering or otherwise moving the tool to a new location;
5. Tool is outside of the operator’s supervision or control; or
6. Removing fasteners from the magazine.

Additional safety instructions

1. The area should be sufficiently illuminated to assure safe operations. The area should be clear and litter-free.
2. There may be local regulations concerning noise which must be complied with by keeping noise levels within prescribed limits. In certain cases, shutters should be used to contain noise.
3. Check walls, ceilings, floors, roofing and the like carefully to avoid possible electrical shock, gas leakage, explosions, etc. caused by striking live wires, conduits or gas pipes.
4. On rooftops and other high locations, drive fasteners as you move forward. It is easy to lose your footing if you drive fasteners while inching backward. When driving against perpendicular surface, drive fasteners from the top to the bottom. You can perform the operations with less fatigue by doing so.
5. Do not leave the loaded tool or the air compressor under pressure for a long time out in the sun. Be sure that dust, sand, chips and foreign matter will not enter the tool in the place where you leave it setting.
6. Perform cleaning and maintenance right after finishing the job. Keep the tool in tip-top condition. Lubricate moving parts to prevent rusting and minimize friction-related wear. Wipe off all dust from the parts.
7. Do not disconnect the air hose with a finger on the trigger. An unexpected driving will cause serious injury when the air hose is connected.
8. When you drop or strike the tool, check the tool damage or crack and make sure that safety systems are in working order before operation. As there is high pressure inside the tool, failure to do so will cause serious injury.
9. Ask Makita’s Authorized service centers for periodical inspection of the tool.
10. To maintain product SAFETY and RELIABILITY, maintenance and repairs should be performed by Makita Authorized or Factory Service Centers, always using Makita replacement parts.

SAVE THESE INSTRUCTIONS.

⚠WARNING: MISUSE or failure to follow the safety rules stated in this instruction manual may cause serious personal injury.

Symbols

The followings show the symbols used for tool.



Read and understand tool labels and manual. Failure to follow warnings could result in death or serious injury.



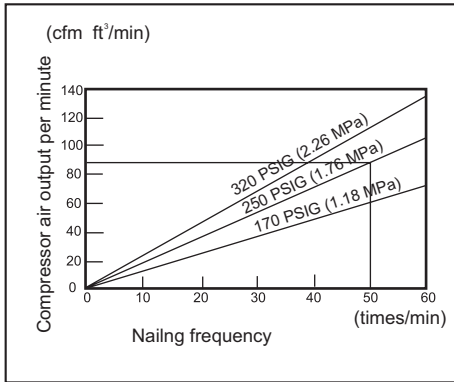
Operators and others in work area must wear safety glasses with side shields.



Keep fingers away from trigger when not driving fasteners to avoid accidental discharge.

INSTALLATION

Selecting compressor



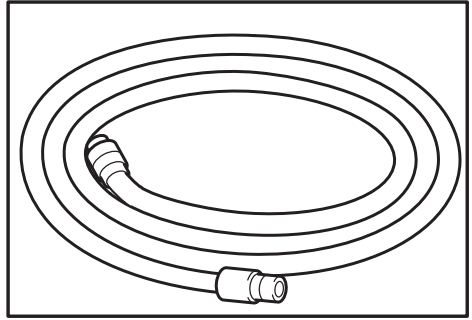
The air compressor must comply with the requirements of ANSI B19.3.

Select a compressor that has ample pressure and air output to assure cost-efficient operation. The graph shows the relation between nailing frequency, applicable pressure and compressor air output.

Thus, for example, if nailing takes place at a rate of approximately 50 times per minute at a compression of 1.76 MPa (250 PSIG), a compressor with an air output over 90 liters/minute is required.

Pressure regulators must be used to limit air pressure to the rated pressure of the tool where air supply pressure exceeds the tool's rated pressure. Failure to do so may result in serious injury to tool operator or persons in the vicinity.

Selecting air hose



Use a high pressure resistant air hose.

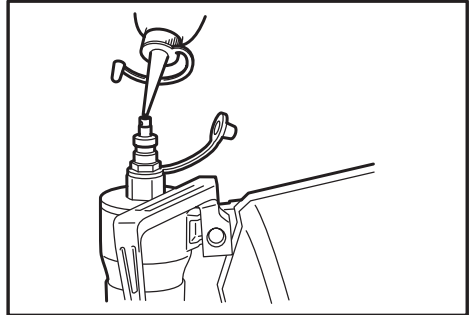
Use an air hose as large and as short as possible to assure continuous, efficient nailing operation.

CAUTION:

- Low air output of the compressor, or a long or smaller diameter air hose in relation to the nailing frequency may cause a decrease in the driving capability of the tool.

Lubrication

Before and after use, oil the tool with pneumatic tool oil by placing two or three drops into the air fitting. For proper lubrication, the tool must be fired a couple of times after pneumatic tool oil is introduced.



FUNCTIONAL DESCRIPTION

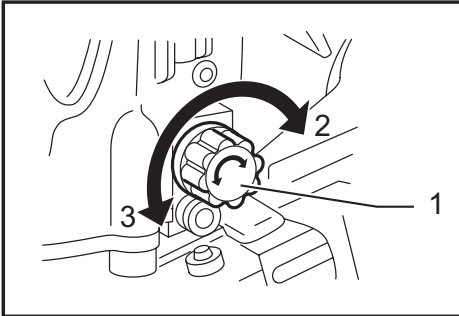
⚠ CAUTION:

- Always disconnect the air hose before adjusting or checking function on the tool.

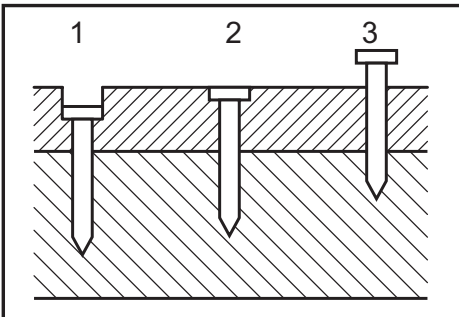
Adjusting the nailing depth

⚠ CAUTION:

- Always disconnect the hose before adjusting the depth of nailing.



► 1. Adjuster 2. Shallow 3. Deep



► 1. Too deep 2. Flush 3. Too shallow

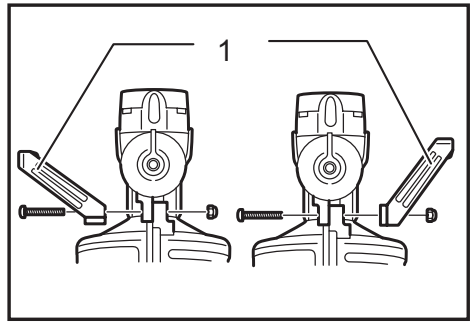
If nails are driven too deep, turn the adjuster clockwise. If nails are driven too shallow, turn the adjuster counterclockwise.

The adjustable range is 0 - 6 mm (0 - 1/4") (One full turn allows 0.8 mm (1/32") adjustment.)

Hook

⚠ CAUTION:

- Always disconnect the hose when hanging the tool using the hook.
- Never hang the tool on a waist belt or like. Dangerous accidental firing may result.



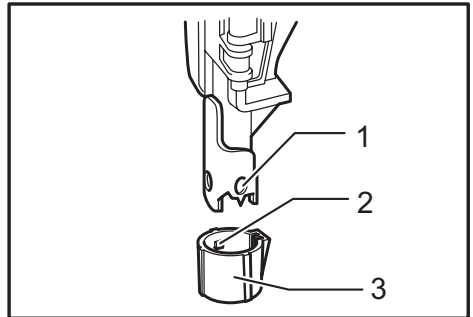
► 1. Hook

The hook is convenient for hanging the tool temporarily. This hook can be installed on either side of the tool. When changing the installation position, remove the screw with a screwdriver. Install the hook on another side for installation and then secure it with the screw.

Use the nose adapter

⚠ CAUTION:

- Always disconnect the hose before installing or removing the nose adapter.



► 1. Hole 2. Protrusion 3. Nose adapter

If you like to protect the surface of workpiece, attach the nose adapter of contact trip.

When nailing workpieces with easily-marred surfaces, use the nose adapter. To attach the nose adapter to the contact arm, press it onto the contact arm until the protrusion in three places inside the nose adapter fit in three holes in the contact arm.

ASSEMBLY

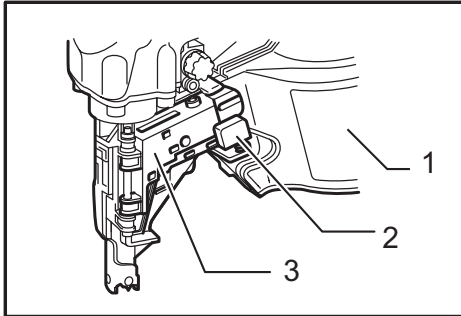
⚠ CAUTION:

- Always disconnect the air hose before loading the nailer.

Loading the nailer

CAUTION:

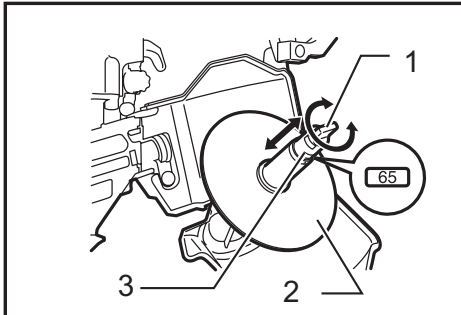
- Make sure that the coil support plate is set to the correct step for used nails.



- 1. Magazine cap 2. Latch lever 3. Door

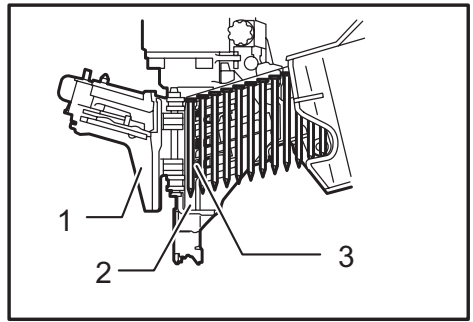
Disconnect the air hose from the tool. Select nails suitable for your work. Depress the latch lever and open the door and magazine cap.

Lift and turn the coil support plate so that the arrow with nail size indicated on the coil support plate will point to the corresponding graduation increment marked on the magazine. If the tool is operated with the coil support plate set to the wrong step, poor nail feed or malfunction of the tool may result.



- 1. Adjustfit 2. Change plate 3. Arrow

Place the nail coil over the coil support plate. Uncoil enough nails to reach the feed claw. Place the first nail in the driver channel and the second nail in the feed claw. Place other uncoiled nails on feeder body. Close the magazine cap slowly until it lock after checking to see that the nail coil is set properly in the magazine.



- 1. Door 2. Nail guide 3. Feeder

Connecting air hose

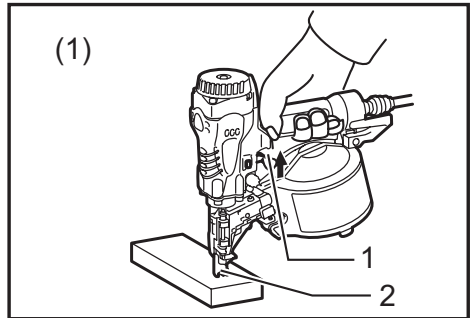
Slip the air socket of the air hose onto the air fitting on the nailer. Be sure that the air socket locks firmly into position when installed onto the air fitting. A hose coupling must be installed on or near the tool in such a way that the pressure reservoir will discharge at the time the air supply coupling is disconnected.

OPERATION

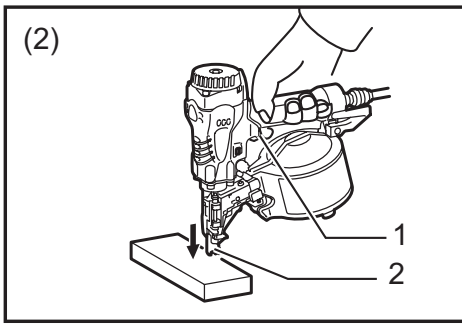
CAUTION:

- Make sure all safety systems are in working order before operation.

1. To drive a nail, you may place the contact element against the workpiece and pull the trigger, or



- 1. Trigger 2. Contact element





► 1. Trigger 2. Contact element

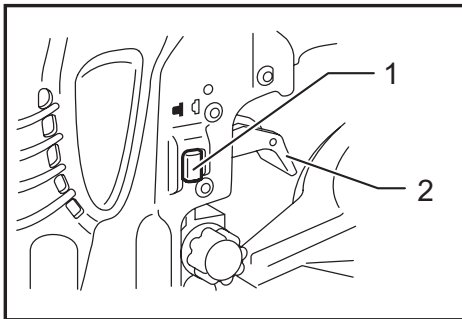
2. Pull the trigger first and then place the contact element against the workpiece.

 - No. (1) method is for intermittent nailing, when you wish to drive a nail carefully and very accurately.
 - No. (2) method is for continuous nailing.

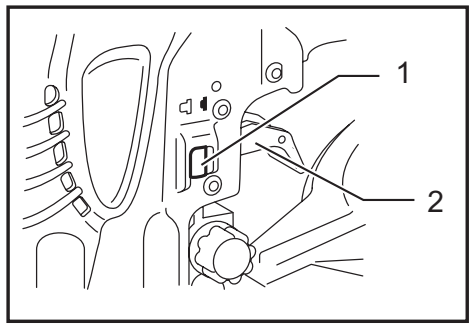
CAUTION:

- However when the tool is set to the "Intermittent Nailing" mode, WITH THE TRIGGER HELD IN A HALF-PULLED POSITION, an unexpected nailing could occur, if contact element is allowed to re-contact against the workpiece or the other surface under the influence of recoil. In order to avoid this unexpected nailing, perform as follows;

- A. Do not place the contact element against the workpiece with excessive force.
- B. Pull the trigger fully and hold it on for 1-2 seconds after nailing.
- For No. (1) method, set the change lever to the  position. For No. (2) method, set the change lever to the  position. After using the change lever to change the nailing method, always make sure that the change lever is properly set to the position for the desired nailing method.



► 1. Change lever 2. Trigger



► 1. Change lever 2. Trigger

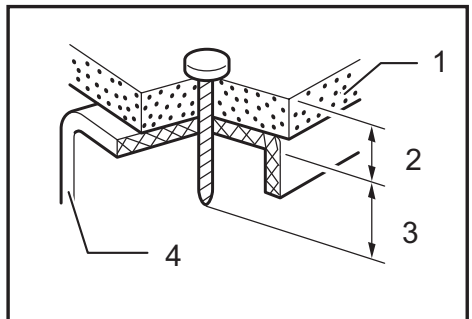
Nailing of steel plate

WARNING:

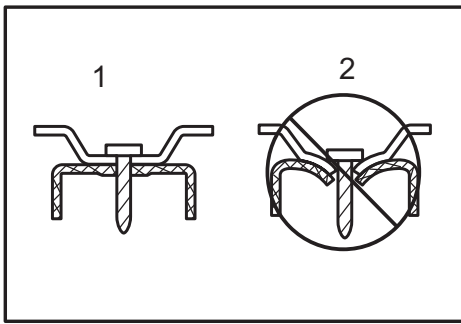
- Use 2.3 mm (3/32") or less steel for C-shaped one. The tool will bounce severely and a nail struck back, causing serious injuries.
- Use hardened nails only for steel plate. Using other purposed nails may cause serious injuries.
- When nailing, hold the tool so that it stands upright to the driving surface. Slanted nailing may cause nails to strike back, causing serious injuries.
- When fastening a corrugated zinc plate on the C-shaped steel, use 0.7 mm (1/32") or less thick plate and 32 mm (1-1/4") long hardened nails. Failure to do so may cause nails to strike back, causing serious injuries.
- Do not use the tool for nailing on ceiling or roof.

Choose and use nails more than 10 mm (3/8") longer than total thickness of all workpiece to be fastened by referring to the table below.

Material thickness (mm)	Nail length (mm)
1.8-22(5/64"-7/8")	32(1-1/4")
10-27(3/8"-1-1/16")	38(1-1/2")
15-30(19/32"-1-3/16")	45(1-25/32")
15-38(19/32"-1-1/2")	50(2")



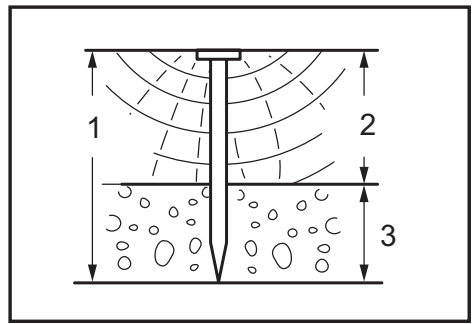
- 1. 0.7 mm (1/32") or less thick for a zinc plate
- 2. Thickness of workpiece 3. 10 mm (3/8") or more
- 4. C-shaped steel (Thickness 1.6 mm (1/16") - 2.3 mm (3/32"))



- ▶ 1. Nail driven to a proper depth 2. Nail driven too deep will cause deformation of workpieces

⚠ CAUTION:

- Depending on the hardness and total thickness of all workpiece in combination to be fastened, enough fastening may not be obtained. Nailing on steel plate to excessive depth may extremely reduce the fastening force. Before nailing, adjust the nailing depth properly.
- In the nailing on the steel plate, the driver may be clogged due to susceptibility to wear. When it is worn, sharpen it or replace it with a new one.



- ▶ 1. Nail length 2. Wood thickness 3. Concrete range 10 mm (3/8") - 15 mm (5/8")

⚠ CAUTION:

- Use this tool only for soft concrete built up not so long before. Using on the hard concrete may cause nail bending or nailing to insufficient depth.
- When the penetration amount into concrete comes to more than 15 mm (5/8"), nailing to the sufficient length may not be obtained.

Nailing of concrete

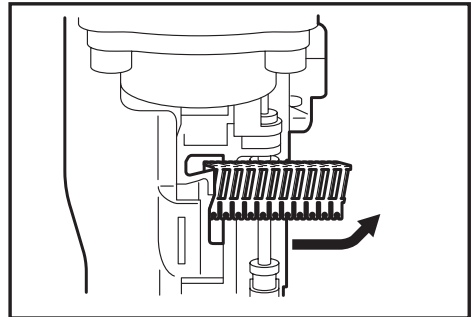
⚠ WARNING:

- Use hardened nails only for concrete. Using other purposed nails may cause serious injuries. Do not nail directly on the concrete or do not use to fasten directly the steel plate to the concrete. Failure to do so may cause concrete fragments to fly off or nails to strike back, causing serious injuries.
- When nailing, hold the tool so that it stands upright to the driving surface. Slanted nailing may cause concrete fragments to fly off or nails to strike back, causing serious injuries.
- Do not use on the surface that objects hang from, such as area where hangers for sewer pipe, dust pipe etc. are set up

Choose and use nails so that the penetration amount into concrete ranges 10 mm (3/8") - 15 mm (5/8") by referring to the table below.

Wood thickness (mm)	Nail length (mm)	Concrete (mm)
20(3/4")	32(1-1/4")	Approx. 12(1/2")
25(1")	38(1-1/2")	Approx. 13(1/2")
30(1-3/16")	45(1-3/4")	Approx. 15(5/8")
35(1-3/8")	50(2")	Approx. 15(5/8")

Cutting off the sheet

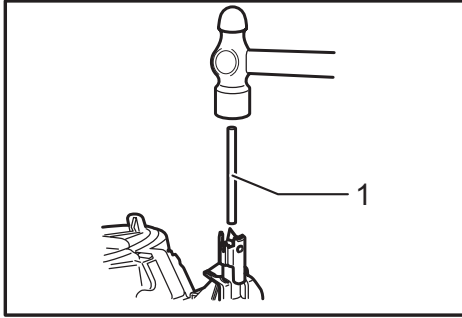


⚠ CAUTION:

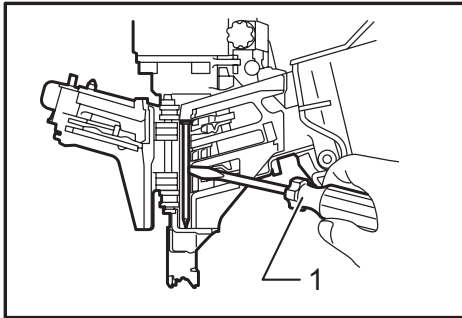
- Always disconnect the hose before cutting off the sheet.

Tear off the output sheet in the direction of the arrow when using the sheet collated nails.

Jammed nailer



► 1. Small rod



► 1. Screwdriver

⚠ CAUTION:

- Always disconnect the air hose and remove the nails from the magazine before cleaning a jam.

When the nailer becomes jammed, do as follows: Open the magazine cap and remove the nail coil. Insert a small rod or the like into the ejection port and tap it with a hammer to drive out the nail jamming from the ejection port. Reset the nail coil and close the magazine cap.

Drain tool

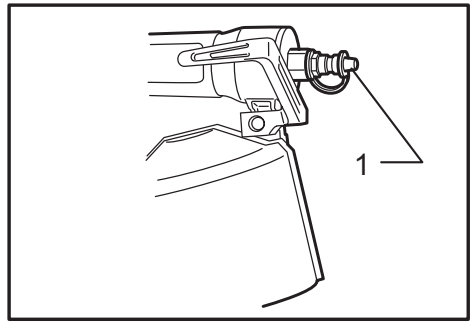
Remove the hose from the tool. Place the tool so that the air fitting faces down to the floor. Drain as much as possible.

Cleaning of tool

Iron dust that adhere to the magnet can be blown off by using an air duster.

Cap

When not in use, disconnect the hose. Then cap the air fitting with the cap.

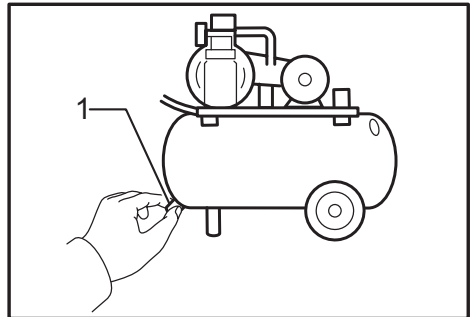


► 1. Cap

Storage

When not in use, the nailer should be stored in a warm and dry place.

Maintenance of compressor and air hose



► 1. Drain cock

After operation, always drain the compressor tank. If moisture is allowed to enter the tool, it may result in poor performance and possible tool failure. Keep the air hose away from heat (over 60°C, over 140°F), away from chemicals (thinner, strong acids or alkalis). Also, route the hose away from obstacles which it may become dangerously caught on during operation. Hoses must also be directed away from sharp edges and areas which may lead to damage or abrasion to the hose.



To maintain product SAFETY and RELIABILITY, repairs, any other maintenance or adjustment should be performed by Makita Authorized or Factory Service Centers, always using Makita replacement parts.

MAINTENANCE

⚠ CAUTION:

- Always disconnect the air hose from the tool before attempting to perform inspection or maintenance.
- Never use gasoline, benzene, thinner, alcohol or the like. Discoloration, deformation or cracks may result.

OPTIONAL ACCESSORIES

⚠ CAUTION:

- These accessories or attachments are recommended for use with your Makita tool specified in this manual. The use of any other accessories or attachments might present a risk of injury to persons. Only use accessory or attachment for its stated purpose.

If you need any assistance for more details regarding these accessories, ask your local Makita Service Center.

- Nails
- Air hoses
- Safety goggles

NOTE:

- Some items in the list may be included in the tool package as standard accessories. They may differ from country to country.

MAKITA LIMITED ONE YEAR WARRANTY

Warranty Policy

Every Makita tool is thoroughly inspected and tested before leaving the factory. It is warranted to be free of defects from workmanship and materials for the period of ONE YEAR from the date of original purchase.

Should any trouble develop during this one year period, return the COMPLETE tool, freight prepaid, to one of Makita's Factory or Authorized Service Centers. If inspection shows the trouble is caused by defective workmanship or material, Makita will repair (or at our option, replace) without charge.

This Warranty does not apply where:

- repairs have been made or attempted by others:
- repairs are required because of normal wear and tear:
- the tool has been abused, misused or improperly maintained:
- alterations have been made to the tool.

IN NO EVENT SHALL MAKITA BE LIABLE FOR ANY INDIRECT, INCIDENTAL OR CONSEQUENTIAL DAMAGES FROM THE SALE OR USE OF THE PRODUCT. THIS DISCLAIMER APPLIES BOTH DURING AND AFTER THE TERM OF THIS WARRANTY.

MAKITA DISCLAIMS LIABILITY FOR ANY IMPLIED WARRANTIES, INCLUDING IMPLIED WARRANTIES OF "MERCHANTABILITY" AND "FITNESS FOR A SPECIFIC PURPOSE," AFTER THE ONE YEAR TERM OF THIS WARRANTY.

This Warranty gives you specific legal rights, and you may also have other rights which vary from state to state. Some states do not allow the exclusion or limitation of incidental or consequential damages, so the above limitation or exclusion may not apply to you. Some states do not allow limitation on how long an implied warranty lasts, so the above limitation may not apply to you.

SPÉCIFICATIONS

Modèle	AN610H
Pression d'air	0,98 - 2,26 MPa (140 - 320 PSIG)
Longueur de clou	Clou en rouleau sur fil 32 mm (1-1/4") - 65 mm (2-1/2") Clou en rouleau sur feuille 32 mm (1-1/4") - 65 mm (2-1/2")
Capacité de clouage	200 - 400 agrafes.
Diamètre min. du tuyau	5,0 mm (3/16")
Dimensions (L x H x P)	282 mm X 277 mm X 136 mm (11-1/8" X 10-15/16" X 5-3/8")
Poids net	1,9 kg (4,2 lbs)

- Étant donné l'évolution constante de notre programme de recherche et de développement, les spécifications contenues dans ce manuel sont sujettes à modification sans préavis.
- Les spécifications peuvent varier suivant les pays.
- Poids conforme à la procédure EPTA du 01/2003

Consignes de sécurité importantes

Par mesure de sécurité personnelle et pour assurer une utilisation et un entretien adéquats, veuillez lire attentivement ce manuel d'instructions avant d'utiliser l'outil.

MISE EN GARDE : PAR MESURE DE SÉCURITÉ, DES PRÉCAUTIONS DE BASE DOIVENT ÊTRE PRISES LORS DE L'UTILISATION DE CET OUTIL, AFIN DE RÉDUIRE LES RISQUES DE BLESSURE. CES PRÉCAUTIONS COMPRENNENT LES SUIVANTES :

LISEZ TOUTES LES INSTRUCTIONS.

Équipement de protection personnelle

1. Portez toujours des lunettes de sécurité pour éviter les blessures aux yeux au contact de la poussière ou des fixations. Les lunettes de sécurité doivent répondre aux exigences de la norme ANSI Z87.1.

MISE EN GARDE : L'employeur a la responsabilité d'imposer le port d'un dispositif de protection des yeux aux utilisateurs des outils et à toute personne présente dans la zone de travail.

2. Portez une protection d'oreilles pour les protéger contre le bruit d'échappement, et portez un casque de sécurité. Les vêtements portés doivent être légers et ne doivent pas être amples. Veuillez boutonner ou rouler vos manches. Ne portez pas de cravate.

Atmosphères inflammables

1. N'utilisez pas l'outil dans les atmosphères explosives, par exemple en présence de liquides inflammables, de gaz ou de poussières combustibles.

Modification de l'outil

1. L'outil ne doit être modifié que si cela est autorisé dans le manuel de l'outil ou approuvé par écrit par le fabricant de l'outil.

Entretien de l'outil

1. Reportez-vous aux instructions d'entretien de l'outil pour des informations détaillées sur l'entretien adéquat d'un outil.

Fixations et accessoires recommandés

1. Utilisez exclusivement les fixations fabriquées ou recommandées par le fabricant de l'outil, ou des fixations qui offrent un rendement équivalent à celles recommandées par le fabricant.
2. Utilisez exclusivement les accessoires fabriqués ou recommandés par le fabricant de l'outil, ou des accessoires qui offrent un rendement équivalent à ceux recommandés par le fabricant.

Inspectez l'outil avant de l'utiliser :

1. Utilisez uniquement la source d'alimentation spécifiée dans le manuel d'instructions. Utilisez l'outil sans dépasser la pression d'air spécifiée sur l'étiquette de l'outil, pour votre sécurité et pour prolonger la durée de service de l'outil. Ne dépassez pas la pression d'utilisation max. recommandée. L'outil ne doit pas être raccordé à une source dont la pression est susceptible de dépasser 3,39 MPa (480 PSIG).
2. Cet outil doit être exclusivement utilisé avec de l'air comprimé. L'utilisation d'une bouteille de gaz (dioxyde de carbone, oxygène, nitrogène, hydrogène, air, etc.) ou de gaz combustible (hydrogène, propane, acétylène, etc.) comme source d'alimentation de cet outil entraînera une explosion et risque de causer une blessure grave.
3. Avant d'utiliser l'outil, assurez-vous qu'il est en bon état et qu'aucune de ses vis n'est desserrée. Le cas échéant, serrez les vis.
4. Assurez-vous que tous les dispositifs de sécurité sont en état de fonctionner avant d'utiliser l'outil. Il ne faut pas que l'outil s'active lorsque vous appuyez uniquement sur la gâchette ou appuyez simplement l'élément de contact contre le bois. Il ne doit s'activer que lorsque ces deux actions sont exécutées. Retirez les fixations de l'outil et tirez complètement l'élément de contact pour vérifier l'absence de tout vice de fonctionnement.

- Vérifiez toujours l'élément de contact, tel qu'indiqué dans ce manuel. Des fixations risquent d'être projetées par accident si le mécanisme de sécurité ne fonctionne pas correctement.
- Lorsque vous travaillez près du bord d'une pièce à travailler ou sur des angles prononcés, faites-le prudemment pour réduire les risques d'écaillage, de fendillement ou d'éclatement, ou pour éviter que les fixations ne s'envolent librement ou ricochent, ce qui peut causer des blessures.

Commandes

- N'utilisez pas un outil dont des étiquettes de mise en garde sont manquantes et abîmées.
- Un outil qui n'est pas en bon état de marche ne doit pas être utilisé. Des balises et la séparation matérielle seront utilisées pour la commande.
- Ne retirez pas, ne modifiez pas et ne rendez d'aucune façon les commandes inutilisables.
- N'utilisez pas l'outil si toute partie des commandes de l'outil est inutilisable, déconnectée, altérée ou défectueuse.

Manipulation de l'outil

- L'outil ne doit être utilisé que par des personnes qui ont lu et compris les instructions d'utilisation et consignes de sécurité.
- Supposez toujours que l'outil contient des fixations.
- Ne pointez pas l'outil vers vous-même ou toute autre personne, peu importe qu'il contienne ou non des fixations.
- Ne laissez pas approcher les curieux et les enfants pendant que vous utilisez l'outil.
- N'activez l'outil que s'il est fermement placé contre la pièce à travailler.
- Respectez l'outil en tant qu'instrument de travail.
- Évitez tout chahut.
- Restez alerte, attentif à votre travail et faites preuve de bon sens lorsque vous utilisez des outils.
- N'utilisez pas l'outil si vous êtes fatigué, avez consommé une drogue ou de l'alcool, ou êtes sous l'effet de médicaments.
- Ne vous étirez pas trop. Assurez-vous d'une bonne prise au sol et d'un bon équilibre en tout temps.
- Évitez de tenir ou de transporter l'outil avec un doigt sur la gâchette.
- Ne posez les fixations que sur une surface à travailler adéquate.
- Ne posez pas de fixations dans d'autres fixations.
- Après la pose d'une fixation, il se peut que l'effet de ressort (« recul ») de l'outil l'éloigne de la surface à travailler. Pour réduire les risques de blessure, contrôlez toujours le recul en :

- gardant constamment la maîtrise de l'outil;
- laissant le recul éloigner l'outil de la surface à travailler;
- ne résistant pas au recul, afin de ne pas forcer le retour de l'outil sur la surface à travailler. En « Mode de commande par contact », une fixation sera libérée involontairement si vous laissez l'outil retoucher la surface à travailler avant la libération de la gâchette.
- gardant le visage et autres parties du corps à l'écart de l'outil.

- Ne mettez pas de fixations dans l'outil pendant que toute commande est activée.
- Ne faites fonctionner l'outil avec aucune autre source d'alimentation que celle spécifiée dans les instructions d'utilisation et consignes de sécurité de l'outil.
- Ne faites fonctionner l'outil avec aucune autre pression d'utilisation que celle spécifiée dans les instructions d'utilisation et consignes de sécurité de l'outil.
- Sélectionnez toujours un système de commande qui convient à l'application de fixation et à la formation reçue par l'utilisateur.
- Soyez tout particulièrement prudent lorsque vous posez des fixations dans des cloisons existantes ou tout autre matériau dont l'arrière n'est pas visible, pour éviter le contact avec des objets dissimulés (p. ex., des câbles ou tuyaux) ou avec des personnes se trouvant de l'autre côté.
- Évitez de soulever, tirer ou abaisser l'outil par le tuyau.

Débranchement de l'outil

Débranchez l'outil de la source d'alimentation lorsque :

- non utilisé;
- exécution de tout entretien ou réparation;
- nettoyage d'un blocage;
- élévation, abaissement ou déplacement de l'outil vers un nouvel emplacement;
- outil non surveillé ou contrôlé par l'utilisateur; ou
- retrait des fixations du magasin.

Consignes de sécurité supplémentaires

- La zone doit être suffisamment éclairée pour assurer un travail sécuritaire. La zone doit être dégagée et sans déchets.
- Il se peut que des réglementations locales s'appliquent concernant les niveaux de bruit permis. Veuillez les respecter. Le cas échéant, des volets doivent être installés pour réduire le bruit.
- Pour éviter tout risque de choc électrique, de fuite de gaz, d'explosion, etc., provoqué par le contact avec des fils dénudés, des conduites ou des tuyaux de gaz, vérifiez le mur ou le plafond, le plancher, le toit, etc.
- Sur les toits et autres endroits élevés, posez les fixations en vous déplaçant vers l'avant. Vous risquez de perdre pied si vous posez les fixations en vous déplaçant à reculons. Lorsque vous posez des fixations sur une surface verticale, faites-le du haut vers le bas. De cette façon le travail sera moins exigeant physiquement.

5. **N'abandonnez pas pour une période prolongée un outil chargé ou un compresseur d'air sous pression exposé au soleil à l'extérieur. Assurez-vous de toujours déposer l'outil en un endroit où la poussière, le sable, les copeaux et corps étrangers ne risquent pas d'y pénétrer.**
6. **Procédez au nettoyage et à l'entretien de l'outil une fois le travail terminé. Maintenez l'outil en excellente condition. Lubrifiez les pièces mobiles pour éviter qu'elles ne rouillent et pour limiter l'usure entraînée par la friction. Retirez toute poussière déposée sur les pièces.**
7. **Ne déconnectez pas le tuyau d'air avec un doigt posé sur la gâchette.** Le déclenchement accidentel causerait une grave blessure au moment du raccordement du tuyau d'air.
8. **Si vous échappez ou heurtez l'outil, vérifiez l'absence de dommages ou fissures, et assurez-vous que tous les dispositifs de sécurité sont en état de fonctionner avant d'utiliser l'outil.** Comme la pression est élevée à l'intérieur de l'outil, la négligence de cette consigne risque de causer une blessure grave.
9. **Confiez régulièrement l'outil à un centre de service après-vente agréé Makita pour une inspection.**
10. **Pour maintenir la SÉCURITÉ et la FIABILITÉ de l'outil, son entretien et sa réparation doivent être effectués dans un centre de service après-vente agréé ou d'usine Makita, exclusivement avec des pièces de rechange Makita.**

CONSERVEZ CE MODE D'EMPLOI.

⚠ MISE EN GARDE : Une MAUVAISE UTILISATION de l'outil ou l'ignorance des consignes de sécurité du présent manuel d'instructions peuvent entraîner une grave blessure.

Symboles

Les symboles utilisés pour l'outil sont indiqués ci-dessous.



Veuillez lire et comprendre les étiquettes et le manuel de l'outil. L'ignorance des mises en garde peut entraîner le décès ou une grave blessure.



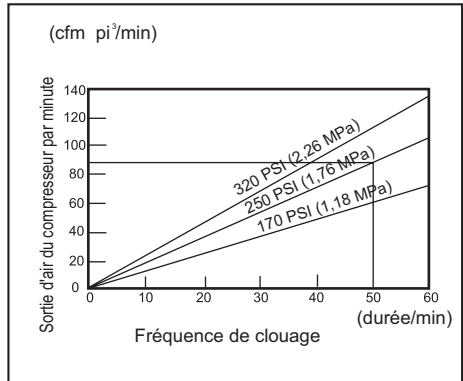
L'utilisateur et toute personne présente dans la zone de travail doivent porter des lunettes de sécurité avec protecteurs latéraux.



Gardez les doigts à l'écart de la gâchette lorsque vous ne posez pas de fixations, pour éviter la libération accidentelle de fixations.

INSTALLATION

Sélection du compresseur



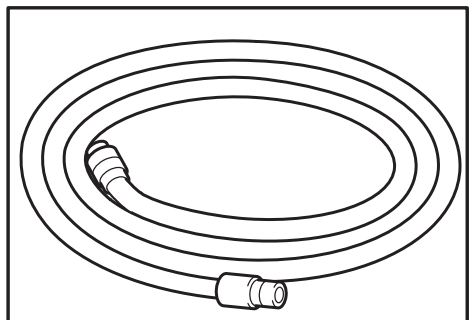
Le compresseur d'air doit répondre aux exigences de la norme ANSI B19.3.

Choisissez un compresseur dont la capacité de pressurisation et de sortie d'air assurera un bon rapport qualité/coût. Le graphique indique la relation entre la fréquence de clouage, la pression applicable et la sortie d'air du compresseur.

Par conséquent, dans le cas d'un clouage à une vitesse approximative de 50 coups par minute et selon une compression de 1,76 MPa (250 PSI), un compresseur doté d'une sortie d'air de plus de 90 litres par minute est requis.

Un régulateur de pression doit être utilisé si la pression d'air fournie dépasse la capacité nominale de l'outil. Autrement, l'utilisateur et les personnes présentes courent un risque de blessure grave.

Sélection du tuyau d'air



Sélection du tuyau d'air.

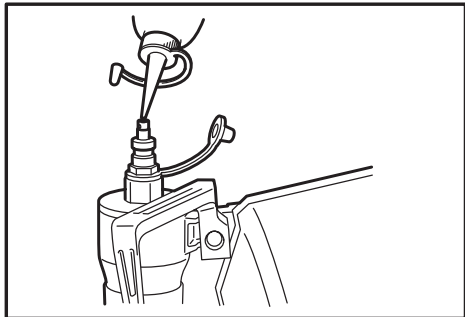
Pour assurer un travail de clouage continu et efficace, le tuyau d'air utilisé doit être le plus gros et le plus court possible.

ATTENTION :

- La capacité d'entraînement de l'outil risque de diminuer si la sortie d'air du compresseur est faible ou si le tuyau d'air est trop long ou d'un diamètre trop petit pour la fréquence de clouage.

Lubrification

Avant et après utilisation, lubrifiez l'outil à l'aide d'huile pour outil pneumatique en introduisant deux ou trois gouttes dans le raccord d'air. Pour assurer une bonne lubrification, il faut faire déclencher l'outil à quelques reprises après avoir introduit l'huile pour outil pneumatique.



DESCRIPTION DU FONCTIONNEMENT

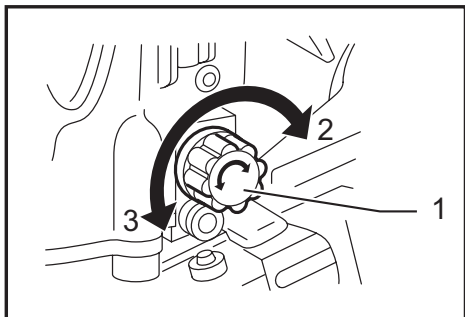
ATTENTION :

- Déconnectez toujours le tuyau d'air avant d'ajuster ou de régler le fonctionnement de l'outil.

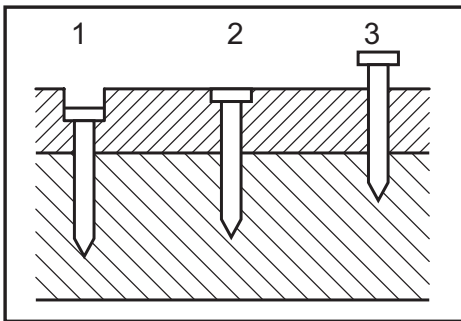
Ajustement de la profondeur de clouage

ATTENTION :

- Déconnectez toujours le tuyau avant d'ajuster la profondeur de clouage.



► 1. Dispositif de réglage 2. Peu profond 3. Profond



► 1. Trop profond 2. Juste 3. Trop peu profond

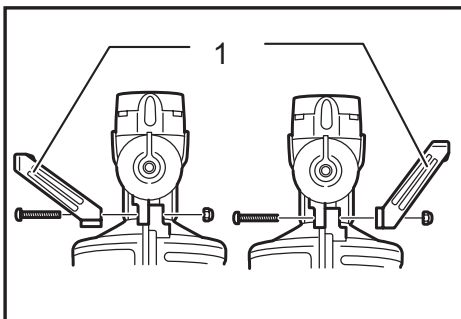
Si les clous sont plantés trop profondément, tournez l'organe de réglage dans le sens des aiguilles d'une montre. Si les clous sont plantés trop peu profondément, tournez l'organe de réglage dans le sens contraire aux aiguilles d'une montre.

La plage ajustable varie de 0 à 6 mm (0 - 1/4 po) (un tour complet permet un ajustement de 0,8 mm (1/32 po)).

Crochet

ATTENTION :

- Verrouillez toujours la gâchette et débranchez le tuyau avant d'accrocher l'outil avec le crochet.
- N'accrochez jamais l'outil à un ceinturon. Il y a risque de déclenchement accidentel dangereux de l'outil.



► 1. Crochet

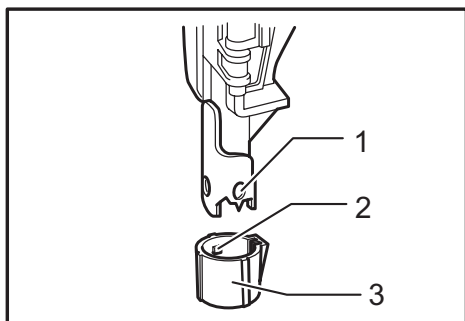
Le crochet est pratique pour accrocher temporairement l'outil. Ce crochet s'installe d'un côté comme de l'autre de l'outil.

Lors du changement de la position d'installation, enlevez la vis avec un tournevis. Installez le crochet sur un autre côté et fixez-le ensuite avec la vis.

Utilisez l'adaptateur de bec

ATTENTION :

- Déconnectez toujours le tuyau avant d'installer ou de retirer l'adaptateur de bec.



► 1. Orifice 2. Saillie 3. Adaptateur de bec

Si vous désirez protéger la surface de la pièce, installez l'adaptateur de bec du mécanisme de déclenchement. Lors du clouage de pièces facilement marquées, utilisez l'adaptateur de bec. Pour fixer l'adaptateur de bec au levier de déclenchement, appuyez l'adaptateur jusqu'à ce que la saillie en trois endroits de l'adaptateur de bec s'adapte dans les trois trous du levier de déclenchement.

ASSEMBLAGE

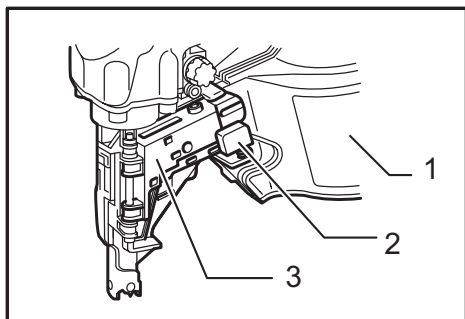
⚠ ATTENTION :

- Déconnectez toujours le tuyau d'air avant de charger la cloueuse.

Chargement de la cloueuse

⚠ ATTENTION :

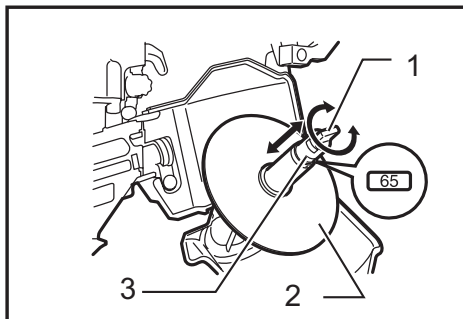
- Assurez-vous que la plaque de soutien du rouleau est installée au niveau adéquat pour les clous utilisés.



► 1. Bouchon du magasin 2. Levier de fermeture 3. Porte

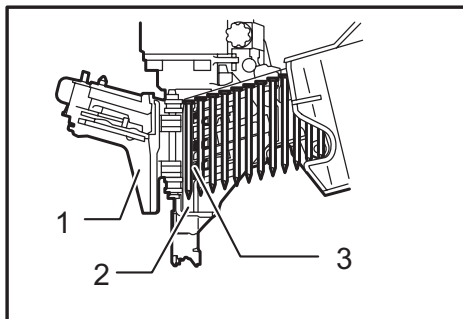
Déconnectez toujours le tuyau d'air de l'outil. Sélectionnez des clous appropriés selon la tâche. Abaissez le levier de fermeture et ouvrez la porte et le bouchon du magasin.

Soulevez et tournez la plaque de soutien de la bobine, de sorte que la flèche correspondant à la taille de clou indiquée sur la plaque pointe vers la valeur de graduation correspondante sur le magasin. Si vous utilisez l'outil alors que la plaque de soutien de la bobine n'est pas placée sur la bonne valeur de graduation, l'alimentation en clou risque d'être mauvaise et l'outil risque de mal fonctionner.



► 1. Ajuster adéquatement 2. Changer la plaque 3. Flèche

Placez le rouleau de clous sur la plaque de soutien du rouleau. Déroulez suffisamment de clous pour atteindre la griffe d'alimentation. Placez le premier clou dans le canal d'entraînement et le second clou dans la griffe d'alimentation. Placez les autres clous non embobinés dans le corps du dispositif d'alimentation. Fermez le bouchon du magasin lentement jusqu'à ce qu'il se verrouille après avoir vérifié la conformité de l'installation du rouleau de clou dans le magasin.



► 1. Porte 2. Guide de clou 3. Dispositif d'alimentation

Raccordement du tuyau d'air

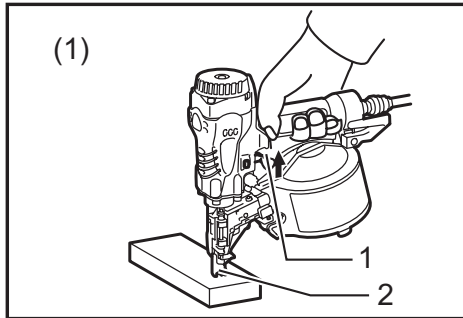
Glissez la douille à air du tuyau d'air dans le raccord à air de la cloueuse. Assurez-vous que la douille à air est verrouillée fermement en position lorsque vous installez le raccord à air. Un raccord à tuyau doit être installé sur ou près de l'outil de sorte que le réservoir de pression se vide au moment de la déconnexion du raccord d'aduction d'air.

UTILISATION

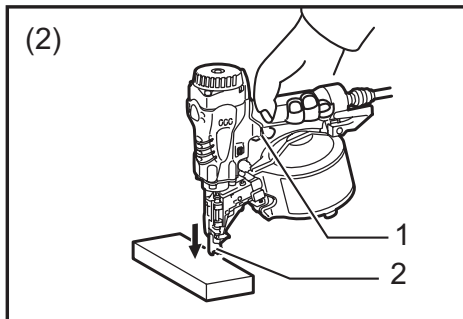
⚠ ATTENTION :

- Assurez-vous que tous les dispositifs de sécurité sont en état de fonctionner avant d'utiliser l'outil.

- Pour clouer, vous pouvez placer l'élément de contact contre la pièce et appuyer sur la gâchette, ou



► 1. Gâchette 2. Élément de contact



► 1. Gâchette 2. Élément de contact

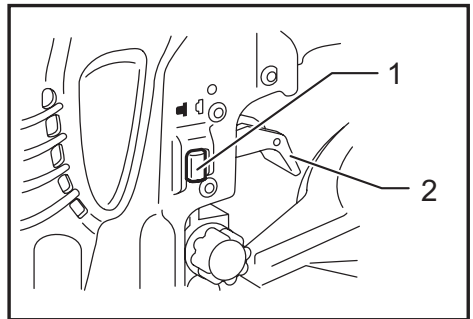
- Vous pouvez aussi appuyer d'abord sur la gâchette puis placer l'élément de contact contre la pièce.
- No. La méthode (1) convient bien au clouage intermittent lorsque vous désirez enfoncer un clou soigneusement, avec une grande précision. La méthode (2) convient bien au clouage continu.

⚠ ATTENTION :

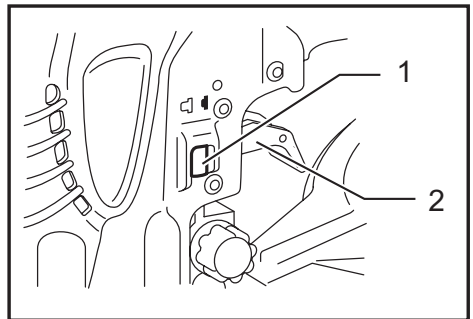
- Toutefois, si l'outil est réglé en mode de "clouage intermittent", AVEC LA GÂCHETTE MAINTENUE À MI-COURSE, vous risquez de clouer par inadvertance si l'élément de contact touche à nouveau la pièce à travailler ou toute autre surface sous l'effet du recul. Pour éviter ce clouage accidentel, procédez comme suit :

- A. N'appliquez pas une force excessive en plaçant l'élément de contact contre la pièce.
- B. Appuyez à fond sur la gâchette et maintenez-la telle quelle pendant 1 ou 2 secondes après le clouage.

- Pour la méthode (1), positionnez le levier de changement à la position \leftarrow .
- Pour la méthode (2), positionnez le levier de changement à la position \rightarrow .
- Après avoir utilisé le levier de changement pour changer la méthode de clouage, assurez-vous toujours que le levier de changement est correctement positionné pour la méthode de clouage désirée.



► 1. Levier de changement 2. Gâchette



► 1. Levier de changement 2. Gâchette

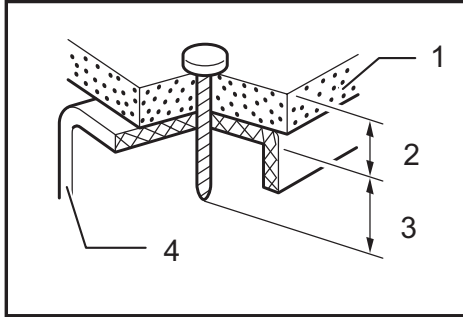
Clouage de plaque d'acier

⚠ MISE EN GARDE :

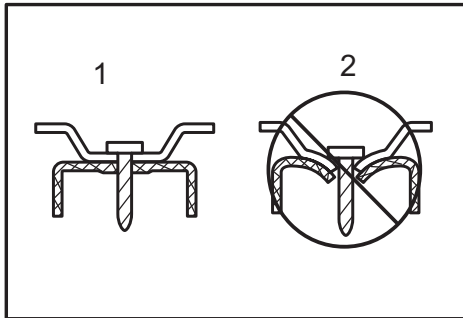
- Utilisez l'outil pour les plaques de 2,3 mm (3/32 po) ou moins pour les pièces en forme de C. Dans le cas contraire, l'outil peut rebondir et le clou changer sa course et causer des blessures graves.
- Pour une plaque d'acier, utilisez uniquement des clous renforcés. Si vous utilisez d'autres types de clous il pourrait en résulter des blessures graves.
- Lors du clouage, maintenez l'outil de manière à ce qu'il se tienne droit sur la surface à clouer. Un clouage incliné pourrait provoquer un retour des clous pouvant provoquer des blessures graves.
- Lors du clouage d'une plaque de zinc ondulée sur une pièce d'acier en forme de C, utilisez une plaque d'une épaisseur de 0,7 mm (1/32 po) ou moins et des clous renforcés de 32 mm (1-1/4 po)." Dans le cas contraire, les clous pourraient voler dans la direction inverse et provoquer des blessures graves.
- N'utilisez pas l'outil pour le clouage sur un plafond ou un toit.

Choisissez et utilisez des clous de plus de 10 mm (3/8 po) plus long que l'épaisseur totale de toute pièce à clouer en consultant le tableau ci-dessus.

Épaisseur du matériau (mm)	Longueur de clou (mm)
1,8-22(5/64 po-7/8 po)	32(1-1/4")
10-27(3/8 po-1-1/16 po)	38(1-1/2")
15-30(1/9-3/2 po-1-3/16 po)	45(1-25/32")
15-38(1/9-3/2 po-1-1/2 po)	50(2")



- ▶ 1. 0,7 mm (1/32") ou moins pour une plaque de zinc
- 2. Épaisseur de la pièce 3. 10 mm (3/8") ou plus
- 4. Acier en forme de C (épaisseur 1,6 mm (1/16") - 2,3 mm (3/32"))



- ▶ 1. Clou planté à une profondeur adéquate 2. Un clou planté trop profondément provoquera une déformation des pièces de travail

ATTENTION :

- Selon la dureté de l'épaisseur totale de toute pièce de travail à assembler, il est possible que la pression soit insuffisante. Le clouage sur une plaque d'acier à une profondeur excessive réduit beaucoup la force de serrage. Avant de clouer, réglez correctement la profondeur de clouage.
- Lors du clouage de la plaque d'acier, l'entraînement peut être bloqué en raison de la susceptibilité à l'usure. Lorsqu'il est usé, arrangez-le ou remplacez-le par un nouveau.

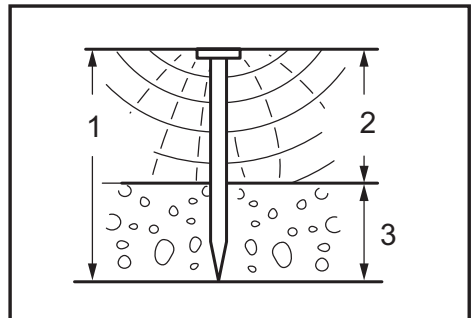
Clouage dans du béton

MISE EN GARDE :

- Dans le béton, utilisez uniquement des clous renforcés. L'utilisation d'autres types de clous pourrait provoquer des blessures graves. Ne clouez pas directement dans le béton et ne l'utilisez pas assembler directement un plaque d'acier à du béton. Dans le cas contraire, des fragments de béton pourraient voler et les clous pourraient voler dans la direction inverse et provoquer des blessures graves.
- Lors du clouage, maintenez l'outil de manière à ce qu'il se tienne droit sur la surface à clouer. Un clouage incliné pourrait provoquer des fragments de béton et un retour des clous pouvant provoquer des blessures graves.
- Ne pas utiliser sur une surface où des objets sont suspendus, comme les endroits où l'on trouve des bras de battant pour un tuyau d'évacuation, une conduite à poussière, etc.

Choisissez et utilisez des clous permettant une pénétration dans le béton variant de 10 mm (3/8 po) - 15 mm (5/8) selon le tableau ci-dessus.

Épaisseur du bois (mm)	Longueur de clou (mm)	Béton (mm)
20(3/4")	32(1-1/4")	Approx. 12(1/2 po)
25(1")	38(1-1/2")	Approx. 13(1/2 po)
30(1-3/16")	45(1-3/4")	Approx. 15(5/8 po)
35(1-3/8")	50(2")	Approx. 15(5/8 po)

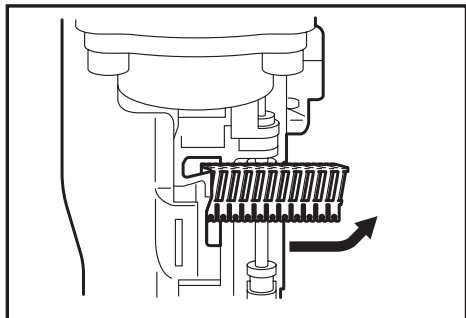


- ▶ 1. Longueur de clou 2. Épaisseur du bois 3. Plaque dans le béton 10 mm (3/8") - 15 mm (5/8")

ATTENTION :

- Utilisez cet outil uniquement pour du béton mou; préparé depuis peu de temps. Une utilisation dans du béton dur peut provoquer le pliage du clou un clouage à une profondeur insuffisante.
- Lorsque la profondeur de pénétration dans le béton est supérieure à plus de 15 mm (5/8 po), il est possible que vous n'obteniez pas la longueur suffisante.

Coupage de la feuille

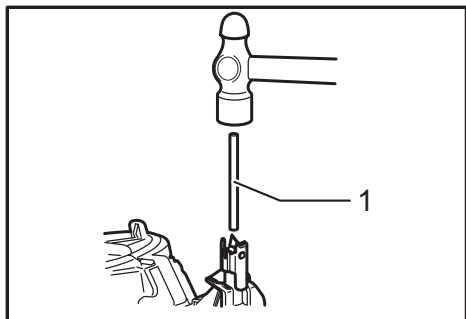


⚠ ATTENTION :

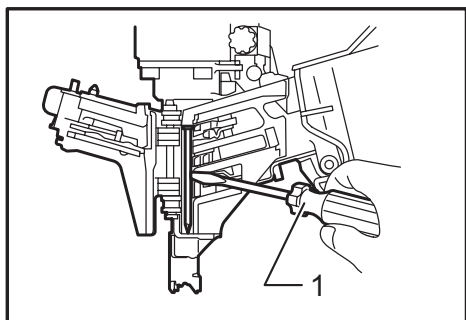
- Déconnectez toujours le tuyau avant de couper la feuille.

Déchirez la feuille dans la direction de la flèche lorsque vous utilisez des clous en rouleau sur feuille.

Cloueuse bloquée



- 1. Petite tige



- 1. Tournevis

⚠ ATTENTION :

- Avant de débloquer la cloueuse, vous devez toujours déconnecter le tuyau d'air et retirer les clous du magasin.

Lorsque la cloueuse se bloque, procédez comme suit : Ouvrez le bouchon du magasin et retirez la bobine de clous. Insérez une petite tige ou un objet similaire dans la sortie d'éjection et frappez dessus légèrement avec un marteau pour retirer les clous coincés dans la sortie d'éjection. Remettez en place la bobine de clous et fermez le bouchon du magasin.

Vidanger l'outil

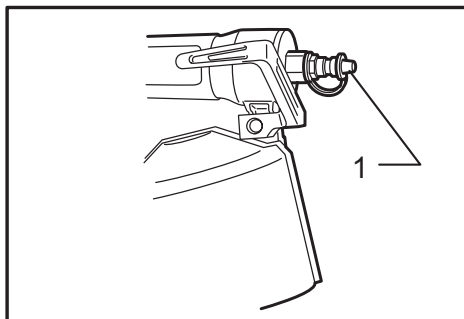
Retirez le tuyau de l'outil. Placez l'outil de manière à ce que le raccord d'air fasse face au plancher. Vidangez le plus possible.

Nettoyage de l'outil

La poussière de fer qui adhère à l'aimant peut être soufflée en utilisant un dispositif de dépeussierage.

Bouchon

Lorsque vous ne l'utilisez pas, déconnectez le tuyau. Par la suite, bouchez le raccord d'air avec le bouchon.

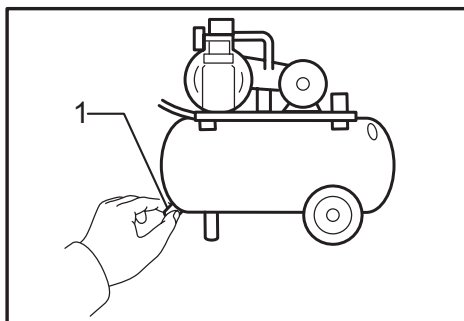


- 1. Bouchon

ENTREPOSAGE

Lorsque vous ne l'utilisez pas, la cloueuse doit être rangée dans un endroit sec et chaud.

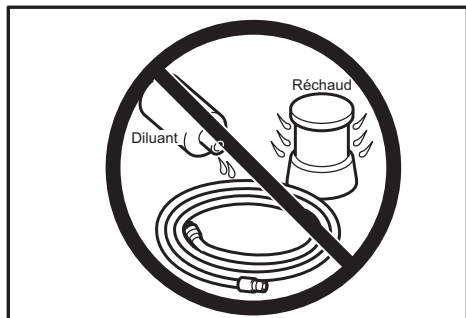
Maintenance du compresseur et du tuyau d'air



- 1. Robinet de vidange

Après l'opération, vidangez toujours le réservoir du compresseur. Si de l'humidité entrainé dans l'outil, cela pourrait entraîner de faibles performances et une éventuelle panne de l'outil.

Gardez le tuyau d'air à l'écart de la chaleur (plus de 60°C ou 140°F) et des produits chimiques (diluant, acides puissants, substances alcalines). Il faut également faire courir le tuyau à l'écart des obstacles où il risquerait de se coincer pendant l'utilisation de l'outil. Les tuyaux doivent également être placés à l'écart des bords tranchants et de toute surface pouvant entraîner l'endommagement ou l'abrasion du tuyau.



Pour maintenir la SÉCURITÉ et la FIABILITÉ du produit, les réparations, tout autre travail d'entretien ou de réglage doivent être effectués dans un centre de service Makita agréé ou un centre de service de l'usine Makita, exclusivement avec des pièces de rechange Makita.

ENTRETIEN

⚠ ATTENTION :

- Déconnectez toujours le tuyau avant d'effectuer tout travail d'inspection ou d'entretien sur l'outil.
- N'utilisez jamais d'essence, de benzine, de solvant, d'alcool ou d'autres produits similaires. Une décoloration, une déformation, ou la formation de fissures peuvent en découler.

ACCESSOIRES EN OPTION

⚠ ATTENTION :

- Ces accessoires ou pièces complémentaires sont recommandés pour l'utilisation avec l'outil Makita spécifié dans ce mode d'emploi. L'utilisation de tout autre accessoire ou pièce complémentaire peut comporter un risque de blessure. N'utilisez les accessoires ou pièces qu'aux fins auxquelles ils ont été conçus.

Si vous désirez obtenir plus de détails concernant ces accessoires, veuillez contacter le centre de service après-vente Makita le plus près.

- Clous
- Tuyau d'air
- Lunettes de sécurité

NOTE :

- Certains éléments de la liste peuvent être inclus avec l'outil comme accessoires standard. Ils peuvent varier suivant les pays.

GARANTIE LIMITÉE D'UN AN DE MAKITA

Politique de garantie

Tous les outils Makita sont soigneusement inspectés et mis à l'essai avant de quitter l'usine. Ils sont garantis contre les vices de fabrication et de matériau pour une période d'UN AN suivant la date de l'achat original. Si un problème survient pendant cette période d'un an, retournez l'outil COMPLET, fret payé d'avance, à une usine ou un centre de service après-vente autorisé Makita. S'il ressort de l'inspection que le problème est dû à un vice de fabrication ou de matériau, Makita réparera (ou remplacera, à son gré) l'outil gratuitement. Cette garantie ne s'applique pas dans les cas où :

- des réparations ont été effectuées ou tentées par un tiers;
- des réparations sont nécessaires en raison de l'usure normale;
- l'outil a été malmené, mal utilisé ou non adéquatement entretenu;
- l'outil a subi des modifications.

MAKITA NE SERA EN AUCUN CAS RESPONSABLE DE TOUS DOMMAGES INDIRECTS, ACCESSOIRES OU CONSÉCUTIFS DE LA VENTE OU DE L'UTILISATION DU PRODUIT. CET AVIS DE NON-RESPONSABILITÉ S'APPLIQUE PENDANT ET APRÈS LA PÉRIODE COUVERTE PAR CETTE GARANTIE.

MAKITA DÉCLINE TOUTE RESPONSABILITÉ QUANT À TOUTES GARANTIES IMPLICITES, Y COMPRIS LES GARANTIES DE « QUALITÉ MARCHANDE » OU D'« ADAPTATION À UN USAGE PARTICULIER » APRÈS LA PÉRIODE DE GARANTIE D'UN AN.

Cette garantie vous donne des droits légaux spécifiques, et vous pouvez également avoir d'autres droits qui varient d'une province à l'autre. Certaines provinces n'autorisent pas l'exclusion ou la restriction des dommages accessoires ou consécutifs, il se peut que la restriction ou l'exclusion ci-dessus ne s'applique pas à vous. Certaines provinces n'autorisent pas de restriction quant à la durée des garanties implicites, il se peut que la restriction ci-dessus ne s'applique pas à vous.

ESPECIFICACIONES

Modelo	AN610H
Presión de aire	0,98 - 2,26 MPa (140 - 320 PSIG)
Longitud del clavo	Embobinado intercalado de clavos de alambre entre 32 mm (1-1/4") - 65mm (2-1/2") Embobinado intercalado de clavos de lámina entre 32 mm (1-1/4") - 65 mm (2-1/2")
Capacidad de clavos	200 - 400 piezas.
Diámetro mínimo de la manguera	5,0 mm (3/16")
Dimensiones (La x Al x An)	282 mm X 277 mm X 136 mm (11-1/8" X 10-15/16" X 5-3/8")
Peso neto	1,9 kg (4,2 lbs)

- Debido a nuestro programa continuo de investigación y desarrollo, las especificaciones aquí dadas están sujetas a cambios sin previo aviso.
- Las especificaciones pueden ser diferentes de país a país.
- Peso de acuerdo al procedimiento de EPTA-01/2003

Instrucciones importantes de seguridad

Por su seguridad personal y para una operación y mantenimiento adecuados de la herramienta, lea este manual de instrucciones atentamente antes de usar la herramienta.

ADVERTENCIA: AL UTILIZAR ESTA HERRAMIENTA, SE DEBEN SEGUIR SIEMPRE LAS PRECAUCIONES DE SEGURIDAD BÁSICAS PARA REDUCIR EL RIESGO DE LESIÓN PERSONAL, ENTRE LAS CUALES SE INCLUYEN LAS SIGUIENTES:

LEA TODAS LAS INSTRUCCIONES.

Equipo de protección personal

1. Siempre use gafas de seguridad para evitar lesiones en los ojos ocasionadas por el polvo o los clavos. Las gafas de seguridad deben cumplir con los requisitos de la norma ANSI Z87.1.

ADVERTENCIA: Es responsabilidad del empleador imponer el uso de equipo de seguridad para la protección de los ojos a los usuarios de las herramientas y demás personas en las inmediaciones del área de trabajo.

2. Use protección para los oídos para protegerlos contra el ruido del escape, así como también debe usarse protección para la cabeza. Además vistase con ropa ligera pero no holgada. Las mangas deben estar abotonadas o arremangadas. No deben usarse corbatas.

Atmósferas inflamables

1. No opere la herramienta en atmósferas explosivas, tal como en la presencia de líquidos, gases o polvo inflamables.

Modificación de la herramienta

1. La herramienta no deberá ser modificada a menos que esté autorizado en el manual de la herramienta o aprobado por escrito por el fabricante de la herramienta.

Mantenimiento de la herramienta

1. Consulte las instrucciones de mantenimiento de la herramienta para ver información detallada sobre el mantenimiento adecuado de la herramienta.

Clavos y accesorios recomendados

1. Utilice solamente clavos hechos o recomendados por el fabricante de la herramienta, o clavos que funcionen de manera similar a los recomendados por el fabricante.
2. Utilice solamente accesorios hechos o recomendados por el fabricante de la herramienta, o accesorios que funcionen de manera similar a los recomendados por el fabricante.

Inspeccione la herramienta antes de la operación para que:

1. Use solamente el suministro de energía especificado en el manual de instrucciones. Opere la herramienta dentro del rango de presión de aire especificado en la etiqueta de la herramienta para garantizar la seguridad y prolongar la vida útil de la herramienta. No exceda la presión de operación máxima recomendada. La herramienta no deberá conectarse a un suministro cuya presión pueda exceder los 3,39 MPa (480 PSIG).
2. Nunca use la herramienta con algo más que no sea aire comprimido. Si se utiliza algún gas embotellado (bióxido de carbono, oxígeno, nitrógeno, hidrógeno, aire, etc.) o algún gas combustible (hidrógeno, propano, acetileno, etc.) como suministro de energía para esta herramienta, ésta explotará y causará graves lesiones.
3. Siempre verifique el estado general de la herramienta, así como si hay tornillos sueltos antes de la operación. Apriete según sea necesario.
4. Asegúrese de que todos los sistemas de seguridad funcionen adecuadamente antes de la operación. La herramienta no deberá ser operada si solamente se ha jalado el gatillo interruptor o si sólo se ha presionado el elemento de contacto contra la madera. Ésta deberá operarse únicamente cuando ambas acciones

hayan sido ejecutadas. Compruebe si hay alguna operación defectuosa sin que haya clavos cargados y con el elemento de contacto en la posición completamente retraída.

5. Siempre inspeccione el elemento de contacto tal como se indica en este manual. Los clavos podrían clavarse accidentalmente si el mecanismo de seguridad no está funcionando correctamente.

Controles de operación

1. No utilice una herramienta que no tenga o tenga dañadas la(s) etiqueta(s) de advertencia de seguridad.
2. Una herramienta que no esté en buenas condiciones de funcionamiento no deberá ser utilizada. Los rótulos y la segregación física deberán ser utilizados para el control.
3. No quite ni altere los controles de operación de la herramienta, ni cause de otra manera que éstos se vuelvan inoperables.
4. No opere la herramienta si cualquier sección de los controles de operación de la herramienta está inoperable, desconectada, alterada o no está funcionando apropiadamente.

Manipulación de la herramienta

1. Solamente las personas que hayan leído y entendido las instrucciones de operación/seguridad de la herramienta deberán operar la herramienta.
2. Siempre asuma que la herramienta contiene clavos.
3. No apunte la herramienta hacia usted ni a ninguna persona independientemente de que contenga clavos o no.
4. Mantenga alejados a los niños y demás personas alrededor durante la operación de la herramienta.
5. No accione la herramienta a menos que esté colocada firmemente contra la pieza de trabajo.
6. Trate la herramienta como un utensilio de trabajo.
7. No utilice la herramienta para jugarrear.
8. Manténgase alerta, concéntrese en su trabajo y utilice el sentido común cuando trabaje con herramientas.
9. No utilice la herramienta cuando esté cansado, después de haber consumido drogas o alcohol, o bajo la influencia de medicamentos.
10. No utilice la herramienta donde no alcance. Pise sobre suelo firme y mantenga el equilibrio en todo momento.
11. No sostenga ni cargue la herramienta con el dedo sobre el gatillo interruptor.
12. Coloque los clavos únicamente sobre una superficie de trabajo adecuada.
13. No coloque los clavos sobre otros clavos.
14. Después de colocar un clavo, la herramienta podría saltar hacia atrás (“retroceder”) alejándose de la superficie de trabajo. Para reducir el riesgo de lesiones asociadas con el retroceso, siempre haga lo siguiente:
 - a) mantenga siempre el control sobre la herramienta.
 - b) permita que el retroceso aleje a la herramienta de la superficie de trabajo.

- c) no resista el retroceso para hacer regresar a la fuerza la herramienta a la superficie de trabajo. En el “Modo de accionamiento por contacto”, si el contacto con la pieza de trabajo es permitido para volver a entrar en contacto con la superficie de trabajo antes de soltar el gatillo interruptor, ocurrirá la descarga accidental de un clavo.
- d) mantenga la cara y las partes del cuerpo alejados de la herramienta.

15. Cuando trabaje cerca del borde de una pieza de trabajo o en ángulos pronunciados, tenga cuidado para minimizar el astillado, fisura o fragmentación, o que los clavos salgan volando o reboten, pudiendo ocasionar una lesión.
16. Mantenga las manos y el cuerpo alejados del área de descarga de clavos de la herramienta.
17. No cargue la herramienta con los clavos cuando cualquiera de los controles de operación se encuentre activado.
18. No opere la herramienta con un suministro de energía que no sea el especificado en las instrucciones de operación/seguridad de la herramienta.
19. No opere la herramienta con ninguna presión de operación que no sea la especificada en las instrucciones de operación/seguridad de la herramienta.
20. Siempre seleccione un sistema de accionamiento que sea apropiado para la aplicación de clavos y la capacitación del operador.
21. Tenga extrema precaución cuando coloque los clavos en las paredes existentes u otras áreas ciegas para evitar el contacto con objetos ocultos o personas del otro lado (p. ej., cables, tubos).
22. No levante, jale o baje la herramienta tomándola de la manguera.

Desconexión de la herramienta

Desconecte la herramienta del suministro de energía cuando:

1. no la esté usando;
2. realice cualquier tarea de mantenimiento o reparación;
3. despeje algún atascamiento;
4. eleve, baje o mueva de alguna otra forma la herramienta a otro lugar;
5. la herramienta esté fuera de la supervisión o control del operador; o
6. retire los clavos del cartucho.

Instrucciones adicionales de seguridad

1. El área de trabajo debe estar suficientemente iluminada para garantizar la seguridad en las operaciones. El área de trabajo debe estar despejada y limpia.
2. Puede que haya regulaciones locales respecto al ruido las cuales deben cumplirse al mantener los niveles de ruido dentro de los límites pre-establecidos. En determinados casos, deberán usarse persianas para contener el ruido.
3. Revise paredes, techos, tejados, pisos y similares con atención para evitar una descarga eléctrica accidental, así como una fuga de gas, explosiones, etc. que sean provocadas por haber insertado el fijador en cables con corriente, tubos o ductos de gas.

4. En los tejados y otros lugares elevados, clave a medida que vaya avanzando hacia adelante. Usted puede perder fácilmente el equilibrio si clave mientras retrocede. Al clavar contra una superficie perpendicular, hágalo de la parte superior a la inferior. Si lo hace así, se fatigará menos al realizar las operaciones.
5. No deje la herramienta cargada o con el compresor de aire funcionando por un tiempo prolongado bajo el sol. Asegúrese de que el polvo, la arena, las astillas o el material extraño no ingrese a la herramienta al dejarla en el lugar que designe.
6. Realice operaciones de limpieza y mantenimiento justo después de haber terminado la labor. Mantenga la herramienta en excelentes condiciones. Lubrique las piezas móviles para prevenir la oxidación y minimizar el desgaste por fricción. Limpie la herramienta y las piezas del polvo.
7. No desconecte la manguera de aire con el dedo sobre el gatillo interruptor. Un clavado inesperado podría causar lesiones graves si la manguera de aire está conectada.
8. Si la herramienta llegara a caerse o golpearse, revise los daños o grietas en la herramienta y asegúrese de que los sistemas de seguridad estén funcionando correctamente antes de la operación. El no hacerlo podría causar lesiones graves debido a la alta presión en el interior de la herramienta.
9. Solicite una inspección periódica de la herramienta en los centros de servicios autorizados de Makita.
10. Para mantener la SEGURIDAD y FIABILIDAD del producto, las reparaciones y cualquier mantenimiento deberán ser realizados por los centros de servicio autorizados o de fabricación de Makita, usando siempre repuestos Makita.

GUARDE ESTAS INSTRUCCIONES.

⚠ ADVERTENCIA: El USO INCORRECTO o el no seguir las normas de seguridad que se declaran en este instructivo podría resultar en lesiones personales graves.

Símbolos

A continuación se muestran los símbolos utilizados para la herramienta.



Lea y entienda el manual y las etiquetas de la herramienta. El no seguir las advertencias podría ocasionar la muerte o una lesión grave.



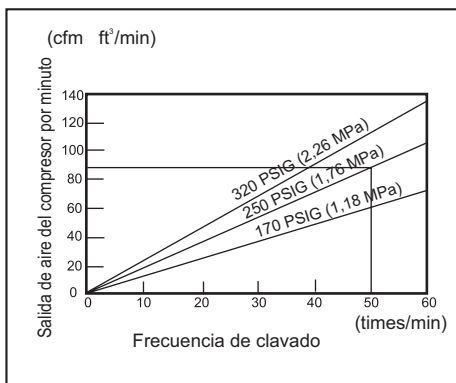
Los operarios y demás personas que se encuentran en el área de trabajo deben usar gafas de seguridad con protección lateral.



Mantenga los dedos alejados del gatillo interruptor cuando no esté colocando clavos a fin de evitar una descarga accidental.

INSTALACIÓN

Cómo elegir un compresor



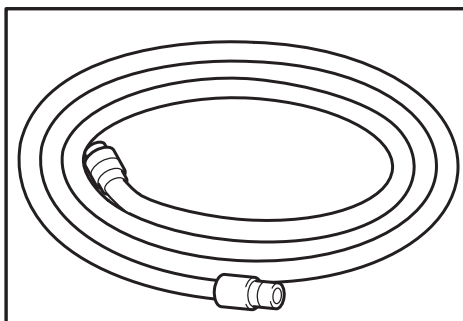
El compresor de aire debe cumplir con los requerimientos de ANSI B19.3.

Seleccione un compresor que tenga presión amplia y salida de aire para garantizar una operación económica. El gráfico muestra la relación entre la frecuencia de clavado, la presión aplicable y la salida del compresor de aire.

De esta manera, si la operación del clavado se lleva a cabo a una tasa de 50 veces por minuto a una compresión de 1,76 Mpa (250 PSIG), se requerirá un compresor de aire con una salida mayor de 90 litros por minuto (lt/min).

Los reguladores de presión deben usarse para limitar la presión del aire suministrado cuando éste excede la presión nominal de la herramienta. Si no lo hiciera, podrían ocurrir graves daños al operador de la herramienta o las personas que se encuentren en las proximidades del lugar.

Cómo seleccionar una manguera de aire



Selección de la manguera de aire.

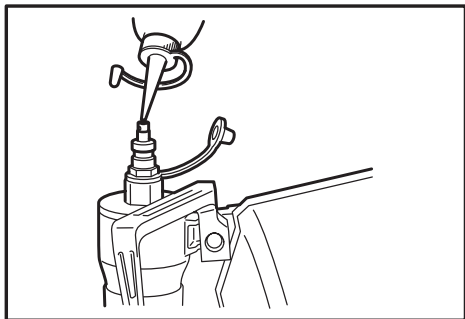
Use una manguera de aire tan ancha y corta como sea posible para asegurar una operación eficiente y continua en el clavado.

⚠️ PRECAUCIÓN:

- Una baja presión en la salida de aire del compresor o una manguera de aire de mayor o menor diámetro en relación con la frecuencia de clavado puede causar una disminución en la capacidad de manejo de la herramienta.

Lubricación

Antes y después de usar, lubrique la herramienta con lubricante para herramientas neumáticas al colocar dos o tres gotas en el compartimento de aire. Para una lubricación adecuada, la herramienta debe dispararse un par de veces después de que se haya colocado el lubricante para herramientas neumáticas.



DESCRIPCIÓN DEL FUNCIONAMIENTO

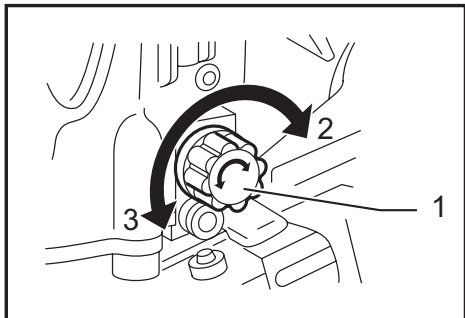
⚠️ PRECAUCIÓN:

- Siempre desconecte la manguera de aire antes de ajustes o revisiones en la herramienta.

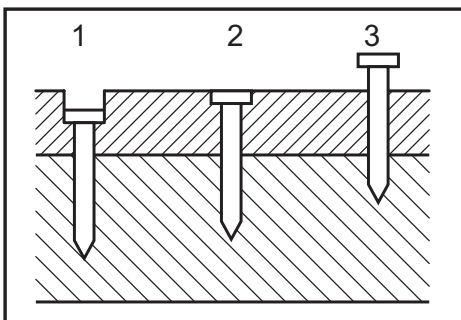
Ajuste de la profundidad del clavado

⚠️ PRECAUCIÓN:

- Siempre desconecte la manguera antes de hacer ajustes de la profundidad de clavado.



- 1. Ajustador 2. Superficialidad 3. Profundidad



- 1. Profundidad excesiva 2. Al ras 3. Superficialidad excesiva

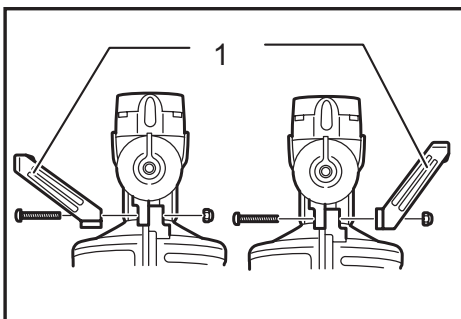
Si los clavos son colocados con demasiada profundidad, gire el ajustador en dirección de las agujas del reloj. Si los clavos son colocados muy superficialmente, gire el ajustador en dirección contraria de las agujas del reloj.

El rango ajustable es de 0 a 6 mm (de 0 a 1/4" ; un giro completo permite un ajuste de 0.8 mm (1/32")).

Gancho

⚠️ PRECAUCIÓN:

- Trabe siempre el gatillo y desconecte la manguera cuando cuelgue la herramienta del gancho.
- Nunca cuelgue la herramienta de su cinturón o algo similar. Podría ocurrir una descarga accidental peligrosa.



- 1. Gancho

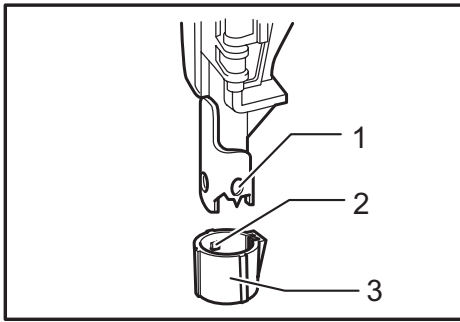
El gancho resulta cómodo para colgar la herramienta temporalmente. Puede instalar este gancho en cualquier lado de la herramienta.

Al cambiar la posición de instalación, quite el tornillo con un destornillador. Coloque el gancho sobre el otro lado de la instalación y luego fíjelo con el tornillo.

Use el adaptador de boquilla

⚠️ PRECAUCIÓN:

- Siempre desconecte la manguera antes de poner o quitar el adaptador de la boquilla.



► 1. Orificio 2. Protuberancia 3. Adaptador de nariz

Si desea proteger la superficie de la pieza de trabajo, coloque el adaptador de boquilla de contacto de desliz. Al estar clavando las piezas de trabajo con superficies que pueden deteriorarse fácilmente, utilice el adaptador de boquilla. Para colocar el adaptador de boquilla al brazo de contacto, presiónelo sobre el brazo de contacto hasta que la protuberancia en los tres puntos dentro del adaptador de boquilla encaje en los tres orificios en el brazo de contacto.

ENSAMBLE

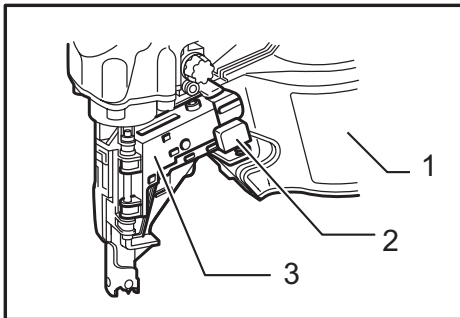
⚠ PRECAUCIÓN:

- Siempre desconecte la manguera de aire antes de resuministrar clavos a la herramienta.

Recargado de la herramienta con clavos

⚠ PRECAUCIÓN:

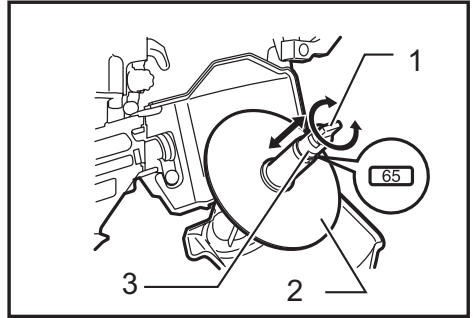
- Asegúrese de que la placa de apoyo del carrete esté colocada en el paso adecuado para los clavos usados.



► 1. Casquillo de la recámara 2. Palanca de seguridad 3. Puerta

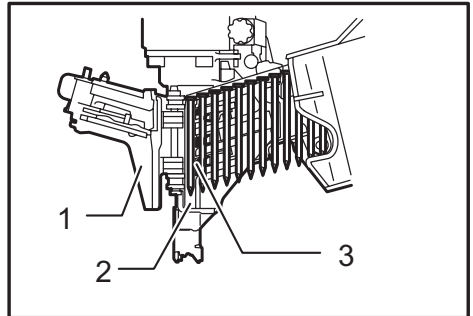
Siempre desconecte la manguera de aire de la herramienta. Seleccione los clavos apropiados para su trabajo. Presione la palanca de la aldabilla, y abra la compuerta y la tapa del cartucho.

Alce y gire la placa del soporte del carrete de tal forma que la flecha que indica el tamaño de los clavos en la placa de soporte apunte hacia la graduación correspondiente que se indica en el cartucho. Si la herramienta es usada con la placa de soporte del carrete puesta en un ajuste incorrecto, puede que resulte en una alimentación deficiente de clavo o en fallas durante la operación.



► 1. Ajuste 2. Placa de cambio 3. Flecha

Coloque la bobina de clavos sobre la placa de soporte de la bobina. Desembobine suficientes clavos hasta alcanzar la pinza de alimentación. Coloque el primer clavo en el canal de clavado y el segundo clavo en la pinza de alimentación. Coloque los otros clavos desembobinados sobre el cuerpo alimentador. Cierre la tapa del cartucho con cuidado verificando que la bobina de clavos está adecuadamente colocada en el cartucho.



► 1. Puerta 2. Guía de clavos 3. Alimentador

Cómo conectar la manguera

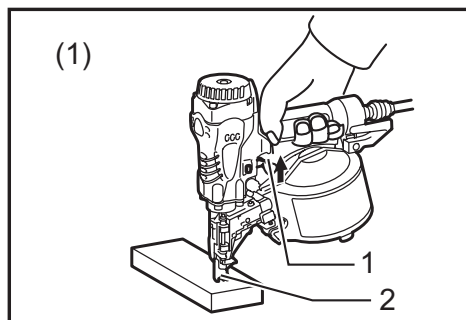
Deslice la conexión de la manguera de aire en la entrada de aire de la clavadora. Asegúrese de que la conexión de aire quede firmemente asegurada en su lugar al instalarse en la entrada de aire. Debe instalarse un acoplador de manguera sobre o cerca de la herramienta de tal forma que el contenedor de presión se descargue al momento en que el acoplador del suministro de aire se desconecte.

OPERACIÓN

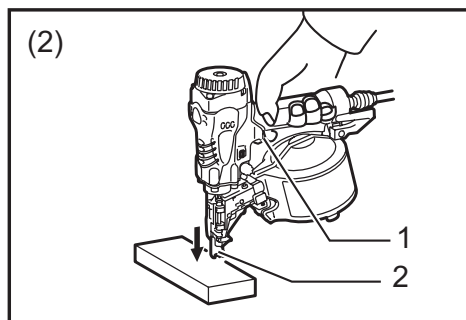
⚠️ PRECAUCIÓN:

- Asegúrese de que todos los sistemas de seguridad funcionen adecuadamente antes de utilizar la herramienta.

1. Para impulsar un clavo, puede colocar el elemento de contacto contra la pieza de trabajo y tirar del gatillo o



► 1. Gatillo 2. Elemento de contacto



► 1. Gatillo 2. Elemento de contacto

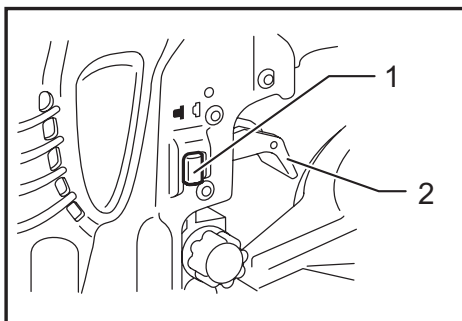
2. Tirar del gatillo primero y luego colocar el elemento de contacto contra la pieza de trabajo.
- El método (1) es para un clavado intermitente en el que se quiera hacer un clavado cuidadoso y muy preciso. El método (2) es para cuando se quiera hacer un clavado continuo.

⚠️ PRECAUCIÓN:

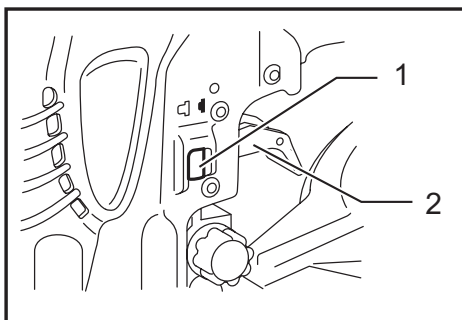
- Sin embargo, cuando la herramienta se encuentra en el modo "Clavado intermitente", SI MANTIENE EL GATILLO DISPARADO A LA MITAD, podría ocurrir un clavado inesperado, si permite que el elemento de contacto vuelva a ponerse en contacto contra la pieza de trabajo u otra superficie bajo la influencia del rebote. A fin de evitar este clavado inesperado, siga el siguiente procedimiento:

- A. No coloque el elemento de contacto contra la pieza de trabajo con demasiada fuerza.
- B. Tire del gatillo por completo y sosténgalo por 1-2 segundos después de clavar.

- Para el método (1), ajuste la palanca de cambio a la posición \leftarrow .
- Para el método (2), ajuste la palanca de cambio a la posición \rightarrow .
- Tras usar la palanca de cambio para ajustar el método de clavado, asegúrese siempre de que la palanca de cambio esté ajustada adecuadamente a la posición para la operación correspondiente.



► 1. Palanca de cambio 2. Gatillo



► 1. Palanca de cambio 2. Gatillo

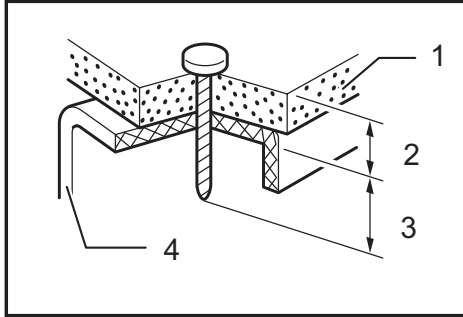
Clavado de placa de acero

⚠️ ADVERTENCIA:

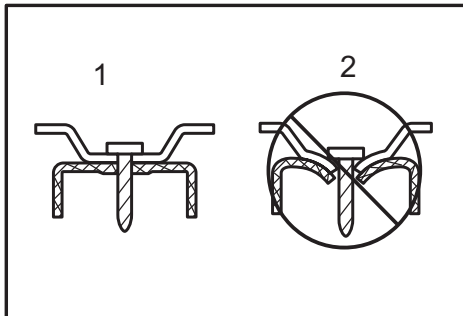
- Use una placa en forma de C de 2.3 mm (3/32") o menos. La placa y el clavo rebotarán de forma intensa pudiendo causar graves lesiones.
- Use sólo clavos endurecidos para placas de acero. El uso de clavos para otros propósitos puede causar graves lesiones.
- Al operar, sostenga la herramienta de tal forma que quede perpendicularmente recta en relación con la superficie. La operación con inclinación puede cuasar que los clavos reboten causando graves lesiones.
- Al estar fijando placas corrugadas de zinc en acero en forma de C, use placas con un grosor de 0.7 mm (1/32") o menos, así como clavos de 32 mm (1-1/4") de longitud. Ignorar estas indicaciones puede que resulte en que los clavos reboten causando graves lesiones.
- No use la herramienta para clavar sobre el interior o exterior del techo.

Seleccione y use clavos cuya longitud sea mayor de 10 mm (3/8") que el grosor total de todas las piezas de trabajo a ser fijadas de acuerdo a como se indica en la tabla a continuación.

Grosor del material (mm)	Longitud del clavo (mm)
1,8-22(5/64"-7/8")	32(1-1/4")
10-27(3/8"-1-1/16")	38(1-1/2")
15-30(19/32"-1-3/16")	45(1-25/32")
15-38(19/32"-1-1/2")	50(2")



- 1. Grosor de 0,7 mm (1/32") o menos para placa de cinc 2. Grosor de la pieza de trabajo 3. 10 mm (3/8") o más 4. Acero en forma de C (grosor entre 1,6 mm (1/16") y 2,3 mm (3/32"))



- 1. Colocación de clavos a profundidad apropiada
2. Los clavos colocados con demasiada profundidad deformarán las piezas de trabajo

⚠PRECAUCIÓN:

- Dependiendo de la rigidez y grosor total de la combinación de todas las piezas de trabajo a ser fijadas, puede que no se consiga una fijación suficiente. El clavado sobre placas de acero a profundidad excesiva puede reducir bastante la fuerza de fijación. Antes de hacer el clavado, realice el ajuste adecuado de la profundidad del clavado.
- Al clavar sobre placas de acero, puede que el módulo de clavado se atasque debido a la susceptibilidad del desgaste. Cuando esto ocurra, afílelo o reemplácelo con un nuevo.

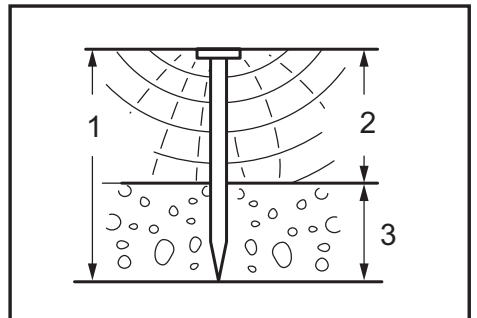
Clavado de concreto

⚠ADVERTENCIA:

- Utilice sólo clavos endurecidos para concreto. El uso de clavos para otros propósitos puede ocasionar graves lesiones. No clave directamente sobre el concreto ni fije placas de acero directamente al concreto. Ignorar estas indicaciones puede que resulte en que fragmentos de concreto salgan proyectados causando graves lesiones.
- Al operar, sostenga la herramienta de tal forma que quede perpendicularmente recta en relación con la superficie. La operación con inclinación puede cuasar que fragmentos de concreto salgan proyectados causando graves lesiones.
- No opere sobre superficies de la cual cuelguen objetos, como las partes donde está colocado el sistema de enganche de tuberías de drenaje, ductos de aire, etc.

Seleccione y use clavos de tal forma que la profundidad en la penetración en el concreto sea de entre 10 mm (3/8") y 15 mm (5/8") de acuerdo a como se indica en la tabla a continuación.

Grosor de la madera (mm)	Longitud del clavo (mm)	Concreto (mm)
20(3/4")	32(1-1/4")	Aprox. 12(1/2")
25(1")	38(1-1/2")	Aprox. 13(1/2")
30(1-3/16")	45(1-3/4")	Aprox. 15(5/8")
35(1-3/8")	50(2")	Aprox. 15(5/8")

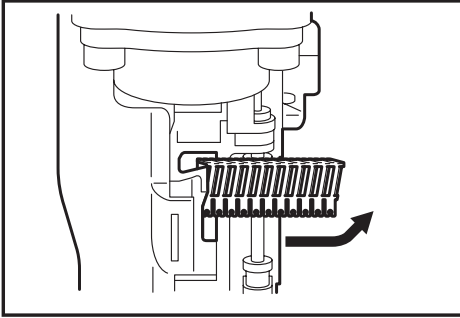


- 1. Longitud del clavo 2. Grosor de la madera
3. Rango de concreto entre 10 mm (3/8") y 15 mm (5/8")

⚠PRECAUCIÓN:

- Use esta herramienta sólo para concreto suave que no haya sido colocado con mucho tiempo de antelación. El uso sobre concreto endurecido puede causar que el clavo se doble o que no penetre lo suficiente.
- Cuando el nivel requerido de penetración en concreto sea mayor a 15 mm (5/8"), puede que no se consiga una profundidad suficiente en el clavado.

Corte del acero

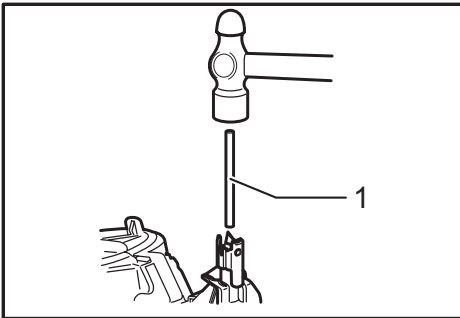


⚠ PRECAUCIÓN:

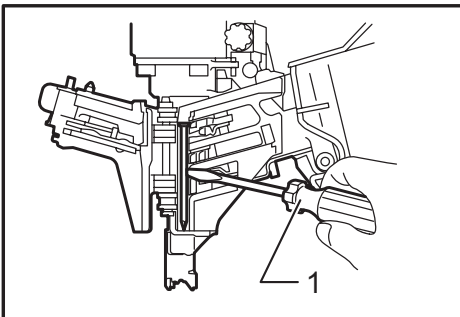
- Desconecte siempre la manguera antes de cortar el acero.

Desprenda el acero saliente en dirección de la flecha al estar usando clavos intercalados de acero.

Clavadora atascada



- 1. Varilla pequeña



- 1. Destornillador

⚠ PRECAUCIÓN:

- Desconecte siempre la manguera de aire y retire los clavos del cartucho antes de despejar algún atascamiento.

Cuando la clavadora se atasca, haga lo siguiente: Abra la tapa del cartucho y retire el carrete de clavos. Inserte una varilla pequeña o similar hacia el puerto de expulsión y dé un golpe ligero con un martillo para sacar los clavos atascados del puerto de expulsión. Vuelva a colocar el carrete de clavos y cierre la tapa del cartucho.

Drenado de la herramienta

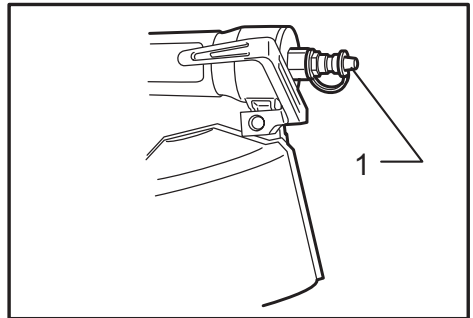
Quite la manguera de la herramienta. Coloque la herramienta de tal forma que el acceso del aire quede contra el suelo. Drene tanto como sea posible.

Limpieza de la herramienta

El polvo de hierro que se adhiere al imán puede sacudirse mediante un sacudidor de aire.

Tapa

Desconecte la manguera al no estar usando la herramienta. Luego coloque la tapa al acceso de aire.

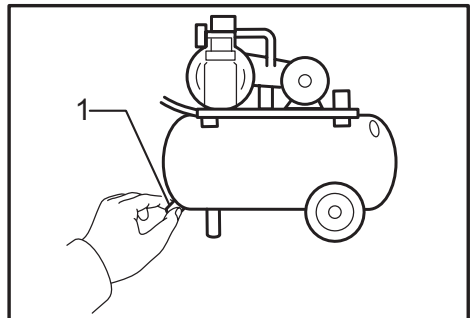


- 1. Tapa

ALMACENAMIENTO

La clavadora deberá almacenarse en un lugar seco y a temperatura templada o tibia al no estarse utilizando.

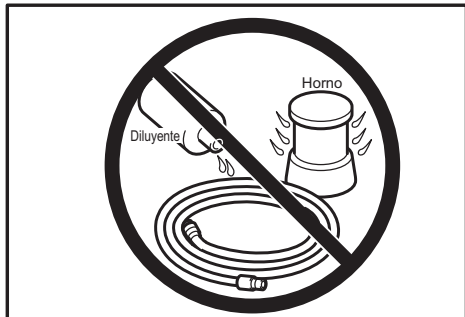
Mantenimiento del compresor y la manguera de aire



- 1. Llave de drenaje

Tras la operación, drene siempre el tanque compresor. Si se deja que ingrese humedad a la herramienta, puede que resulte en un pobre rendimiento y falla potencial de la herramienta.

Mantenga la manguera de aire alejada del calor (más de 60°C, más de 140°F), lejos de las sustancias químicas (diluyente, ácidos fuertes o álcalis). Además, encamine la manguera fuera de los obstáculos dado que podría quedar peligrosamente atrapada durante el funcionamiento. Las mangueras deben también dirigirse lejos de bordes filosos y áreas que podrían dañarlas o desgastarlas.



Para mantener la SEGURIDAD y FIABILIDAD del producto, las reparaciones, y cualquier otra tarea de mantenimiento o ajuste deberán ser realizadas en Centros de Servicio Autorizados por Makita, empleando siempre repuestos Makita.

MANTENIMIENTO

⚠PRECAUCIÓN:

- Desconecte siempre la manguera de aire de la herramienta antes de intentar hacer una inspección o mantenimiento.
- Nunca use gasolina, bencina, diluyente (tíner), alcohol o sustancias similares. Puede que esto ocasione grietas o descoloramiento.

ACCESORIOS OPCIONALES

⚠PRECAUCIÓN:

- Estos accesorios o aditamentos (incluidos o no) están recomendados para utilizar con su herramienta Makita especificada en este manual. El empleo de cualesquiera otros accesorios o acoplamientos conllevará un riesgo de sufrir heridas personales. Utilice los accesorios o acoplamientos solamente para su fin establecido.

Si necesita cualquier ayuda para más detalles en relación con estos accesorios, pregunte a su centro de servicio Makita local.

- Clavos
- Mangueras de aire
- Gafas de seguridad

NOTA:

- Algunos de los artículos en la lista puede que vengan junto con el paquete de la herramienta como accesorios incluidos. Puede que estos accesorios varíen de país a país.

GARANTÍA LIMITADA DE UN AÑO DE MAKITA

Ésta Garantía no aplica para México Política de garantía

Cada herramienta Makita es inspeccionada y probada exhaustivamente antes de salir de la fábrica. Se garantiza que está libre de defectos de mano de obra y materiales por el período de UN AÑO a partir de la fecha original de compra. Si durante este período de un año se desarrollara algún problema, devuelva la herramienta COMPLETA, con el envío prepagado, a un centro de servicio autorizado o de fábrica Makita. Si la inspección muestra que el problema ha sido a causa de un defecto de mano de obra o material, Makita hará la reparación (o a su discreción, el reemplazo) sin ningún cargo.

Esta garantía no aplica cuando:

- las reparaciones se hayan hecho o intentado hacer por otros;
- se requieran reparaciones debido al desgaste normal;
- la herramienta haya sido maltratada, recibido un mal uso o haya recibido un mantenimiento inapropiado;
- se hayan hecho modificaciones a la herramienta.

EN NINGÚN CASO MAKITA SE HARÁ RESPONSABLE DE NINGÚN DAÑO INDIRECTO, INCIDENTAL, O DERIVADO DE LA VENTA O USO DEL PRODUCTO. ESTE DESCARGO DE RESPONSABILIDAD APLICA DURANTE Y DESPUÉS DEL PLAZO DE ESTA GARANTÍA. MAKITA RENUNCIA A LA RESPONSABILIDAD POR CUALQUIER GARANTÍA IMPLÍCITA, INCLUYENDO GARANTÍAS DE "COMERCIABILIDAD" Y "ADECUACIÓN PARA UN PROPÓSITO ESPECÍFICO", DESPUÉS DEL PLAZO DE UN AÑO DE ESTA GARANTÍA.

Esta garantía le concede derechos legales específicos y usted podrá tener también otros derechos que varían de un estado a otro. Algunos estados no permiten la exclusión o limitación de daños incidentales o consecuentes, por lo que la limitación o exclusión arriba mencionada podría no aplicar para usted. Algunos estados no permiten la limitación sobre la duración de una garantía implícita, por lo que la limitación arriba mencionada podría no aplicar para usted.

< USA only >

WARNING

Some dust created by power sanding, sawing, grinding, drilling, and other construction activities contains chemicals known to the State of California to cause cancer, birth defects or other reproductive harm. Some examples of these chemicals are:

- lead from lead-based paints,
- crystalline silica from bricks and cement and other masonry products, and
- arsenic and chromium from chemically-treated lumber.

Your risk from these exposures varies, depending on how often you do this type of work. To reduce your exposure to these chemicals: work in a well ventilated area, and work with approved safety equipment, such as those dust masks that are specially designed to filter out microscopic particles.

< Sólo en los Estados Unidos >

ADVERTENCIA

Algunos polvos creados por el lijado, aserrado, esmerilado, taladrado y otras actividades de la construcción contienen sustancias químicas reconocidas por el Estado de California como causantes de cáncer, defectos de nacimiento y otros peligros de reproducción. Algunos ejemplos de estos productos químicos son:

- plomo de pinturas a base de plomo,
- sílice cristalino de ladrillos y cemento y otros productos de albañilería, y
- arsénico y cromo de maderas tratadas químicamente.

El riesgo al que se expone varía, dependiendo de la frecuencia con la que realice este tipo de trabajo. Para reducir la exposición a estos productos químicos: trabaje en un área bien ventilada y póngase el equipo de seguridad indicado, tal como las máscaras contra polvo que están especialmente diseñadas para filtrar partículas microscópicas.

Makita Corporation

3-11-8, Sumiyoshi-cho,
Anjo, Aichi 446-8502 Japan

www.makita.com

884844C941
AN610H-1
EN, FRCA, ESMX
20160408